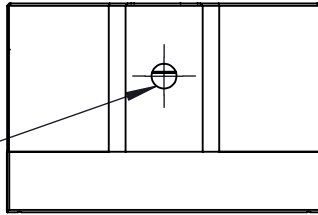
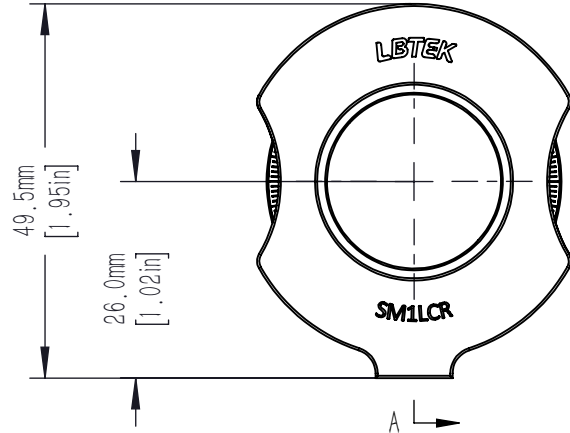


M4 THREADED HOLE

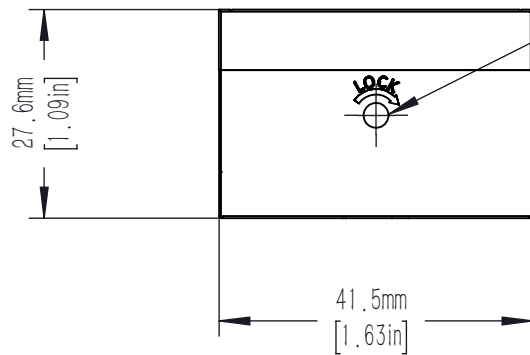


A →



← A

M4 RUBBER HEAD SCREW LOCKING
(2mm ALLEN WRENCH)



DETACHABLE REAR PLATE RING
(M30 EXTERNAL THREAD SM1 INTERNAL THREAD)

INSTALLATION POSITION OF
SM1 EXTERNAL THREAD LENS

14.5mm
[0.57in]

A-A

13.6mm
[0.54in]

SM1 SNAP RING FOR FIXING 1-INCH OPTICAL COMPONENTS

1 INCH OPTICAL COMPONENT INSTALLATION POSITION

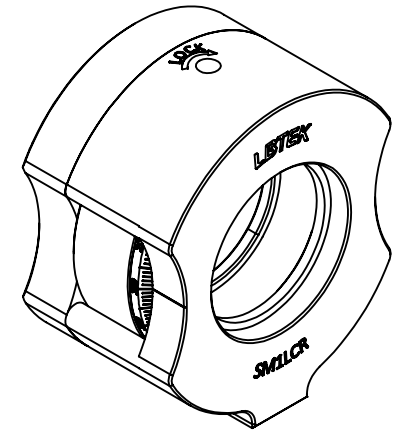
6.2mm
[0.24in]

7.0mm
[0.28in]

3.5mm
[0.14in]

9.6mm
[0.38in]

19.6mm
[0.77in]



DRAWING PROJECTION

LBTEK

	NAME	DATE	SM1LCR			
DRAWN	ZZH	OCT./13th/23	LENS CONTINUOUS ROTATION MOUNTING BRACKET			
APPROVAL	ZXU	OCT./14th/23	MATERIAL	WEIGHT	SCALE	REV
FOR INFORMATION ONLY NOT FOR MANUFACTURING PURPOSES			ALUMINIUM	0.079 Kg	1:1	B