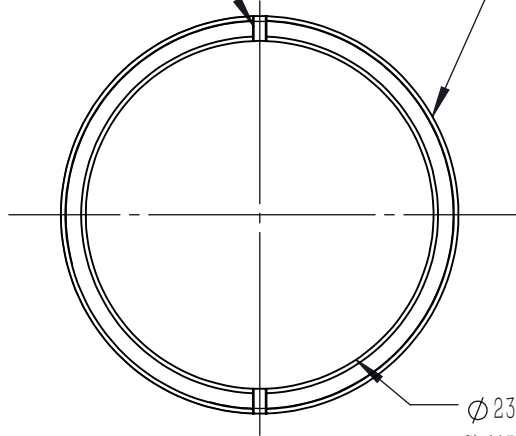
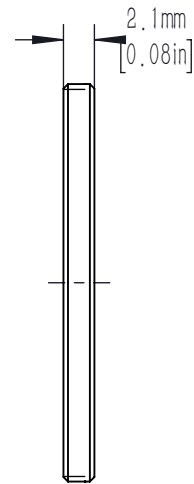


SPANNER WRENCH SLOTS
FOR USE WITH OWR-1A



SM1(Ø 1.035-40) SERIES
EXTERNAL THREAD

Ø 23.0mm [Ø 0.91in]
CLEAR APERTURE



DRAWING PROJECTION			LBTEK			
	NAME	DATE	SM1R			
DRAWN	BYIN	JUN./25th/19	SM1 SERIES RETAINING RING			
APPROVAL	LDAI	JUN./25th/19	MATERIAL	WEIGHT	SCALE	REV
FOR INFORMATION ONLY NOT FOR MANUFACTURING PURPOSES			ALUMINIUM	0.01 Kg	2:1	B