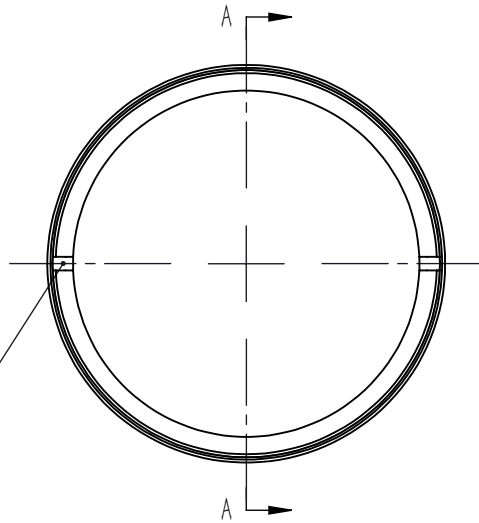
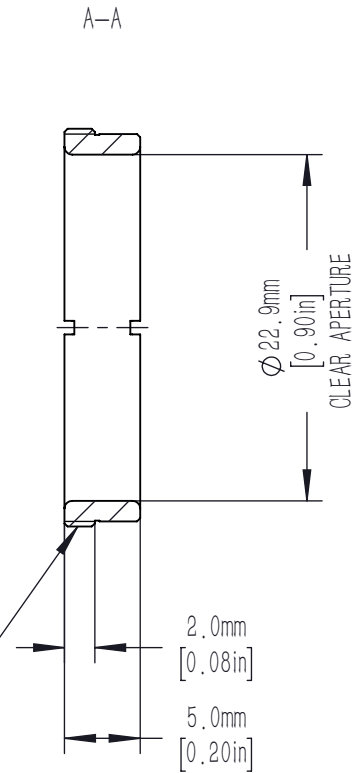


SPANNER WRENCH SLOTS  
FOR USE WITH OWR-1A



SM1 (Ø 1.035-40) SERIES  
EXTERNAL THREAD



DRAWING PROJECTION			<b>LBTEK</b>			
	NAME	DATE	SM1RT			
DRAWN	BJU	APR./28th/22	SM1 SERIES THICKENED RETAINING RING THICKENED			
APPROVAL	ZXU	APR./2th/22	MATERIAL	WEIGHT	SCALE	REV
FOR INFORMATION ONLY NOT FOR MANUFACTURING PURPOSES			ALUMINIUM	0.001 Kg	2:1	B