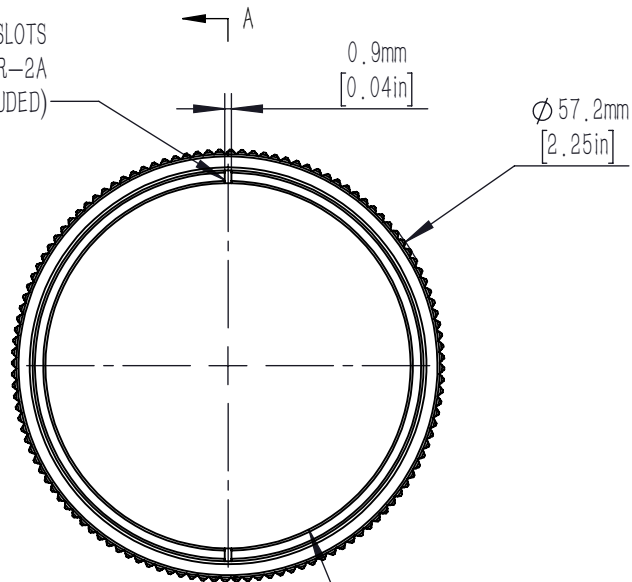
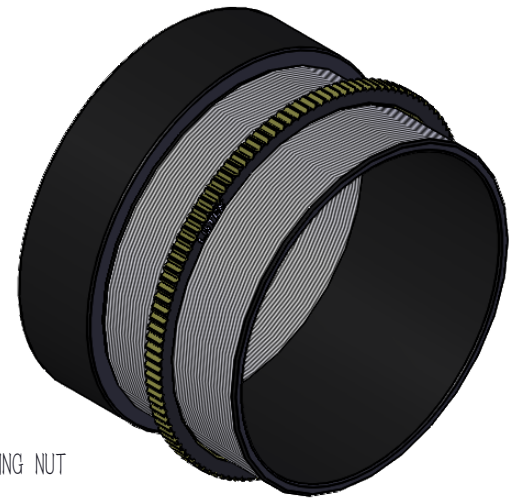
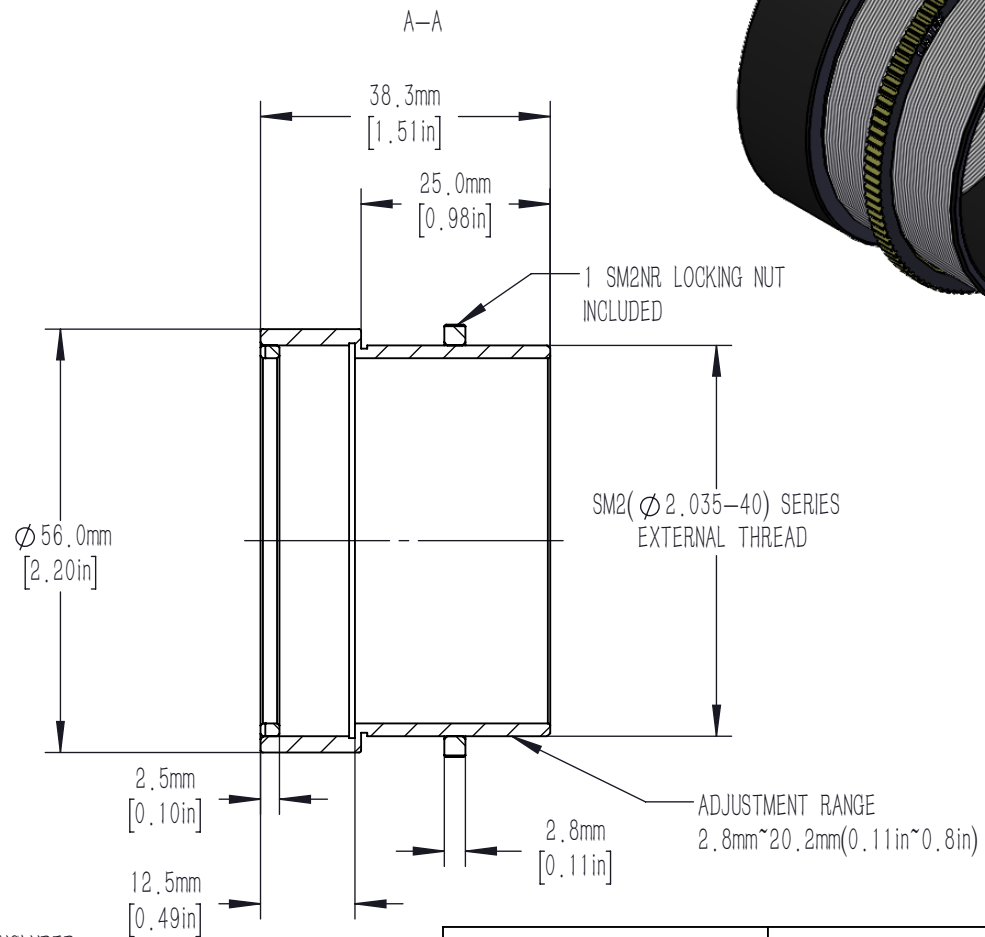


SPANNER WRENCH SLOTS
FOR USING WITH OWR-2A
(NOT INCLUDED)



SM2(2.035-40) SERIES
INTERNAL THREAD
1 SM2RR RETAINING RING INCLUDED
 $\phi 48.3\text{mm}$ [$\phi 1.90\text{in}$] CLEAR APERTURE



DRAWING PROJECTION			LBTEK			
	NAME	DATE				
DRAWN	YCH	MAR./6th/20	ADJ. FOCUS SM2 LENS TUBE ADAPTER			
APPROVAL	ZHE	MAR./6th/20	MATERIAL	WEIGHT	SCALE	REV
FOR INFORMATION ONLY NOT FOR MANUFACTURING PURPOSES			ALUMINUM	0.099 Kg	1:1	B