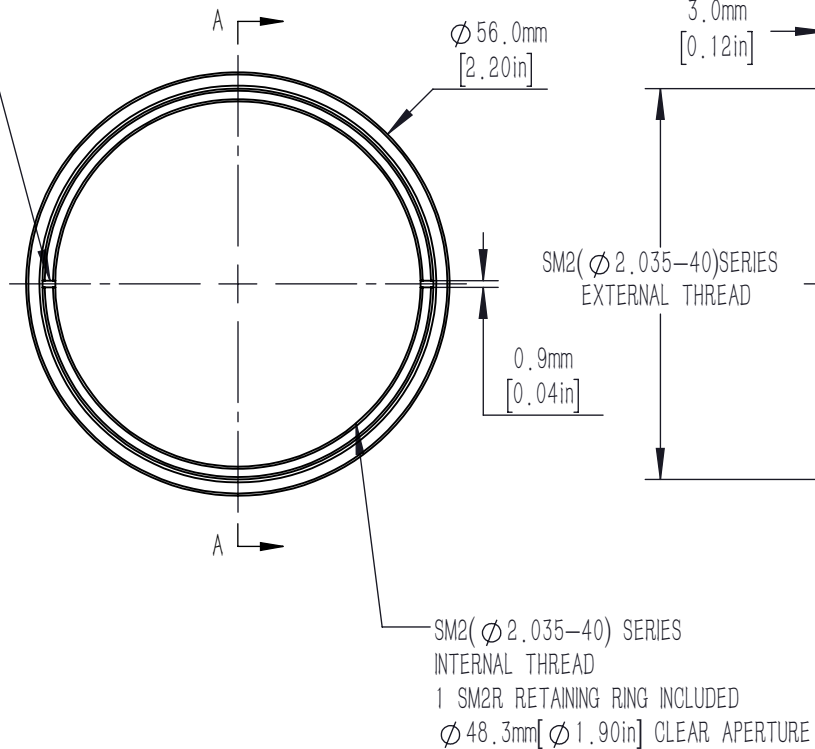


SPANNER WRENCH SLOTS
FOR USING WITH OWR-2A
(NOT INCLUDED)



A-A

53.8mm
[2.12in]

3.0mm
[0.12in]



2.5mm
[0.10in]

50.0mm
[1.97in]

DRAWING PROJECTION			LBTEK			
	NAME	DATE				
DRAWN	YCH	MAR./6th/20	SM2 LENS TUBE, 50mm DEEP			
APPROVAL	ZHE	MAR./6th/20	MATERIAL	WEIGHT	SCALE	REV
FOR INFORMATION ONLY NOT FOR MANUFACTURING PURPOSES			ALUMINUM	0.16 Kg	1:1	B