

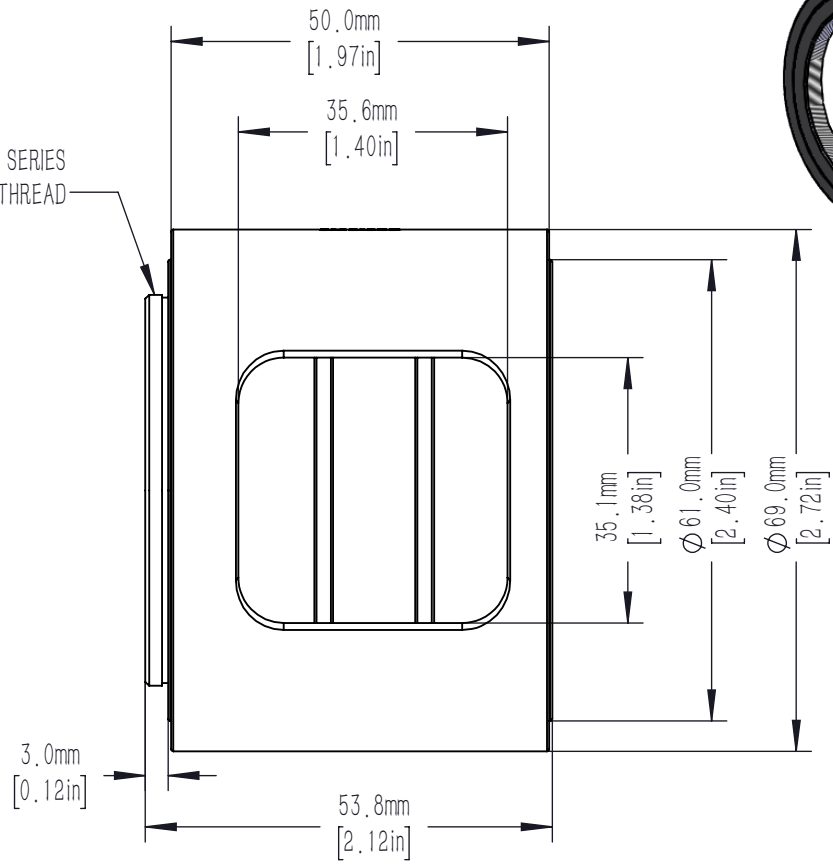
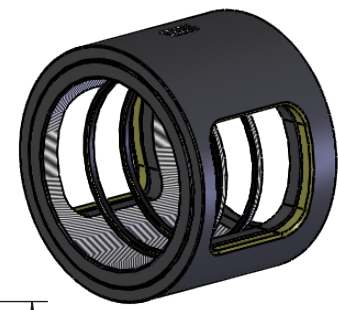
Ø 47.0mm
[1.85in]
CLEAR APERTURE

Ø 48.3mm
[1.90in]

SM2 (2.035-40) SERIES
EXTERNAL THREAD

SM2 (2.035-40) SERIES
INTERNAL THREAD
1.97in [50mm] DEEP
2 SM2R RETAINING RINGS INCLUDED
Ø 48.3mm [Ø 1.90in] CLEAR APERTURE

SPANNER SLOT FOR
USING WITH OWR-2A



DRAWING PROJECTION			LBTEK			
	NAME	DATE				
DRAWN	PCH	Mar./11th/25	SM2 SLOTTED LENS TUBE WITH DUST COVER, 50mm DEEP			
APPROVAL	YLI	Mar./11th/25	MATERIAL	WEIGHT	SCALE	REV
FOR INFORMATION ONLY NOT FOR MANUFACTURING PURPOSES			N/A	0.171 Kg	1:1	A