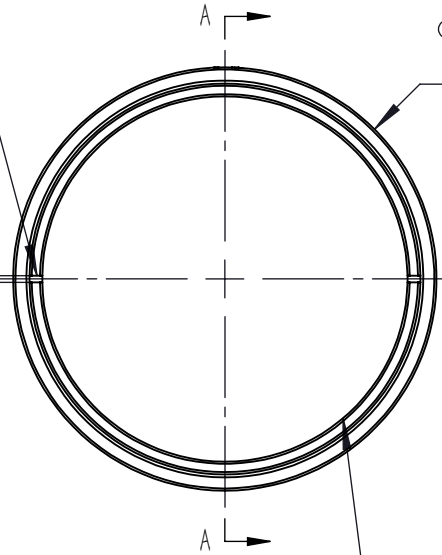


SPANNER WRENCH SLOTS  
FOR USING WITH OWR-2A  
(NOT INCLUDED)

0.9mm  
[0.04in]



$\phi 56.0\text{mm}$   
[2.20in]

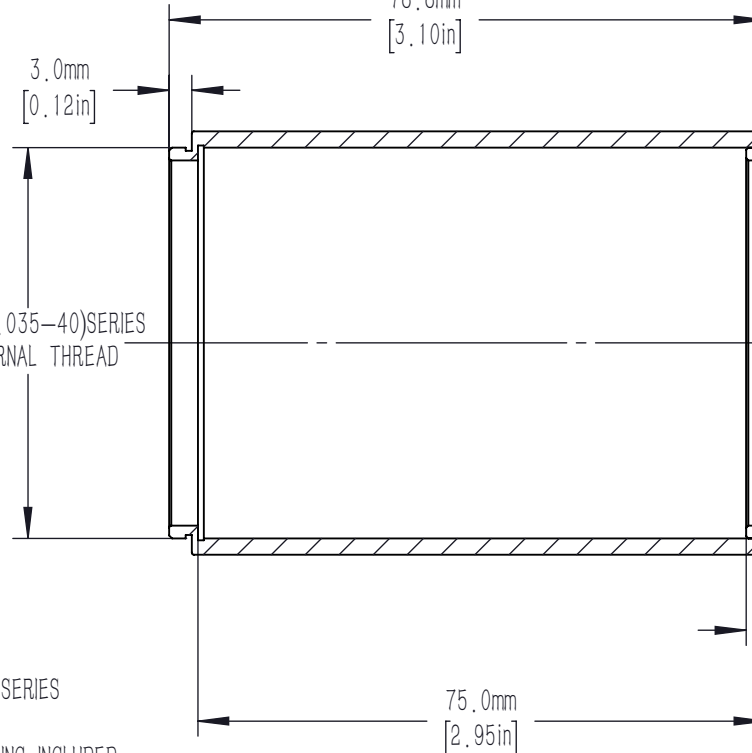
SM2( $\phi 2.035-40$ ) SERIES  
EXTERNAL THREAD

SM2( $\phi 2.035-40$ ) SERIES  
INTERNAL THREAD  
1 SM2R RETAINING RING INCLUDED  
 $\phi 48.3\text{mm}$  [ $\phi 1.90\text{in}$ ] CLEAR APERTURE

3.0mm  
[0.12in]

78.8mm  
[3.10in]

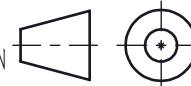
A-A



2.5mm  
[0.10in]



DRAWING  
PROJECTION



**LBTEK**

NAME

DATE

SM2-75A

DRAWN

YCH

MAR./6th/20

SM2 LENS TUBE, 75mm DEEP

APPROVAL

ZHE

MAR./6th/20

MATERIAL

WEIGHT

SCALE

REV

FOR INFORMATION ONLY  
NOT FOR MANUFACTURING PURPOSES

ALUMINUM

0.23 Kg

1:1

B