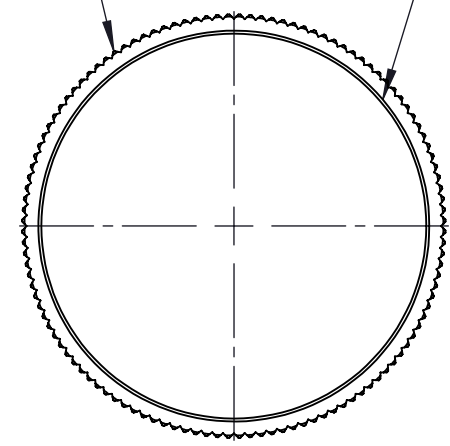


$\phi 56.0\text{mm}$  [2.20in]  
KNURLED SURFACE

SM2( $\phi 2.035-40$ ) SERIES  
EXTERNAL THREAD



DRAWING PROJECTION			<b>LBTEK</b>			
	NAME	DATE	SM2-C2			
DRAWN	BYIN	JUN./25th/19	SM2 SERIES END CAP EXTERNAL THREADS			
APPROVAL	LDAI	JUN./25th/19	MATERIAL	WEIGHT	SCALE	REV
FOR INFORMATION ONLY NOT FOR MANUFACTURING PURPOSES			ALUMINIUM	0.04 Kg	1:1	B