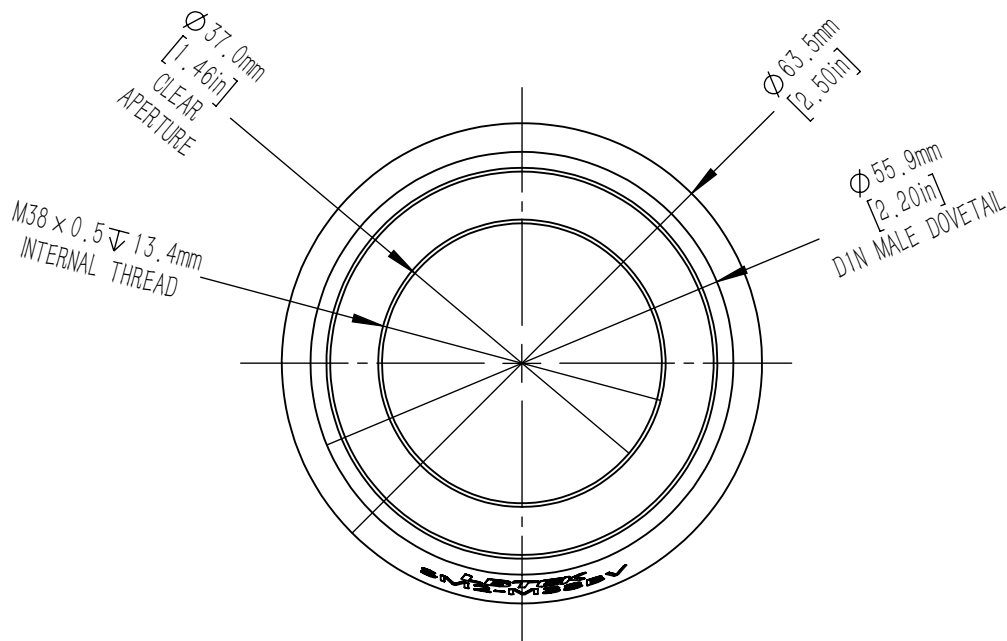
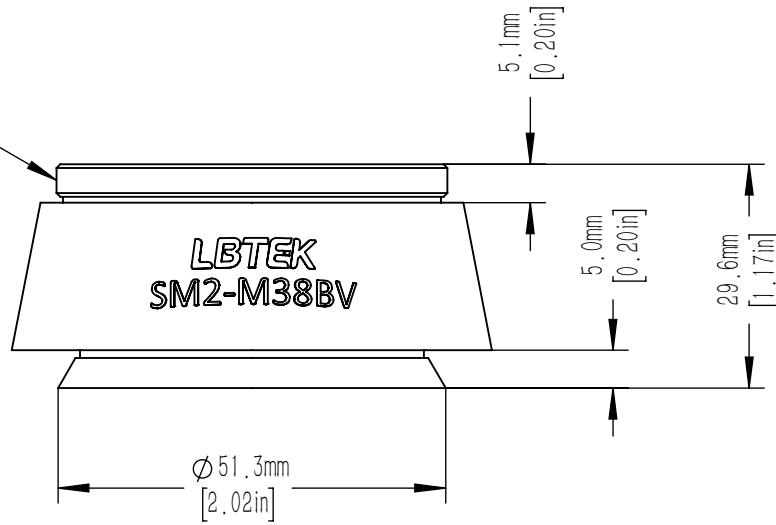


SM2(Φ2.035-40) SERIES
EXTERNAL THREAD



| | | | | | | |
|--|------|-------------|---|----------|-------|-----|
| DRAWING PROJECTION | | | LBTEK | | | |
| | NAME | DATE | | | | |
| DRAWN | SSO | MAR./6th/24 | ADAPTER, SM2 EXTERNAL THREADS TO DIN MALE DOVETAIL | | | |
| APPROVAL | HDE | MAR./6th/24 | MATERIAL | WEIGHT | SCALE | REV |
| FOR INFORMATION ONLY NOT FOR MANUFACTURING PURPOSES | | | N/A | 0.113 Kg | 1:1 | A |