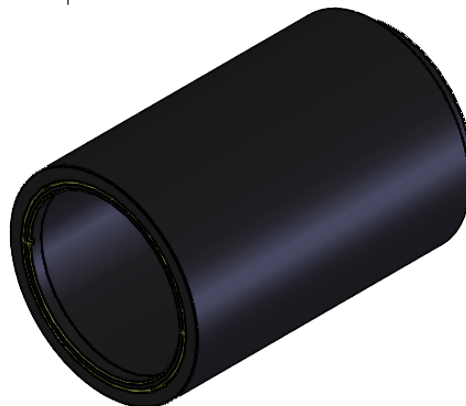
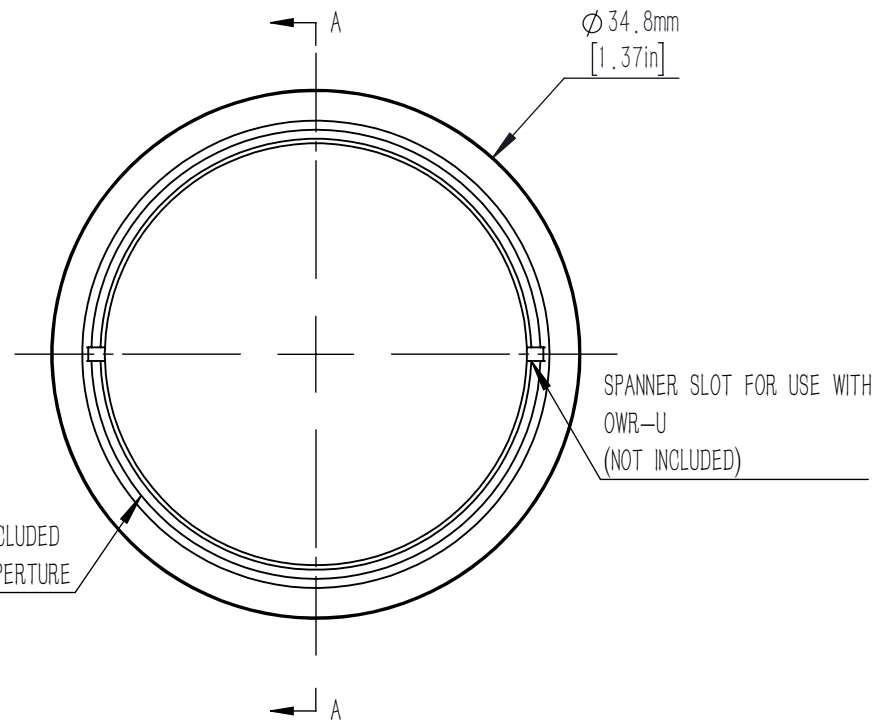


SM30 (M30.5 x 0.5) SERIES EXTERNAL THREAD

SM30 (M30.5 x 0.5) SERIES INTERNAL THREAD

(1) SM30RR RETAINING RING INCLUDED
 $\phi 27.9\text{mm}$ [1.10in] CLEAR APERTURE



DRAWING PROJECTION			LBTEK			
	NAME	DATE				
DRAWN	ZJI	DEC./23th/25	SM30 LENS TUBE, 50mm DEEP			
APPROVAL	YLI	DEC./23th/25	MATERIAL	WEIGHT	SCALE	REV
FOR INFORMATION ONLY NOT FOR MANUFACTURING PURPOSES			N/A	0.036 Kg	2:1	A