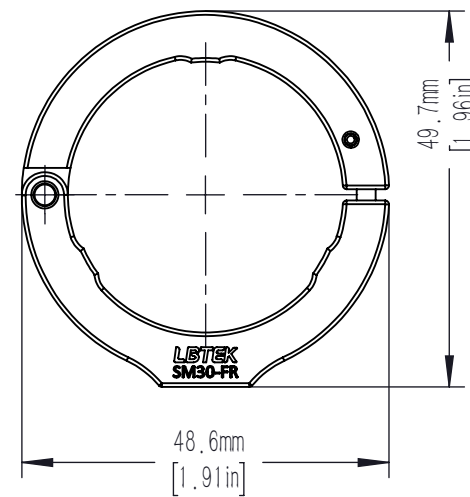
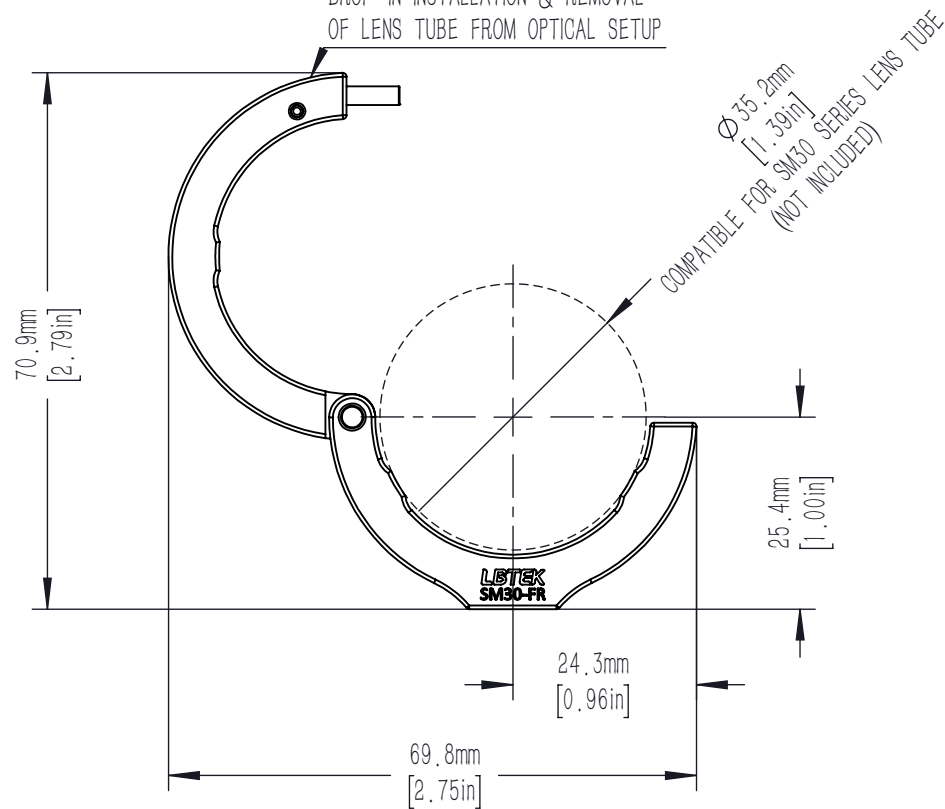


OPEN-ARM DESIGN ALLOWS FOR EASY
DROP-IN INSTALLATION & REMOVAL
OF LENS TUBE FROM OPTICAL SETUP



DRAWING PROJECTION							
	NAME	DATE					
DRAWN	PCHEN	Dec./19th/25		SM30 SERIES TUBE CLAMP			
APPROVAL	YHLI	Dec./19th/25		MATERIAL	WEIGHT	SCALE	REV
FOR INFORMATION ONLY NOT FOR MANUFACTURING PURPOSES				N/A	0.022 Kg	1:1	A

FOR INFORMATION ONLY
NOT FOR MANUFACTURING PURPOSES