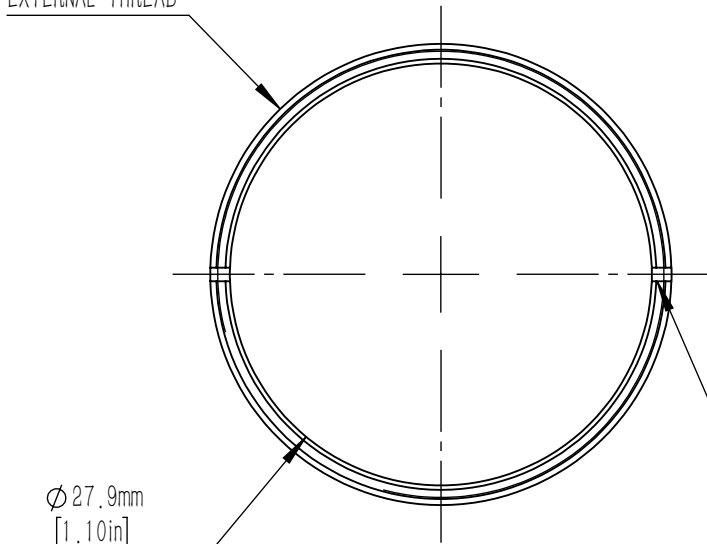
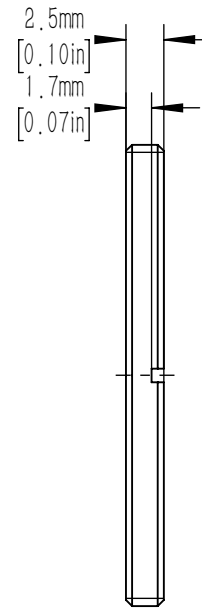


M30.5 x 0.5
EXTERNAL THREAD



Ø 27.9mm
[1.10in]
CLEAR APERTURE

SPANNER WRENCH SLOTS
FOR USE WITH OWR-U
(NOT INCLUDED)



FOR INFORMATION ONLY
NOT FOR MANUFACTURING PURPOSE

DRAWING PROJECTION			LBTEK			
	NAME	DATE				
DRAWN	ZJ	DEC./23th/25	Ø 30.0 RETAINING RING			
APPROVAL	YLI	DEC./23th/25	MATERIAL	WEIGHT	SCALE	REV
FOR INFORMATION ONLY NOT FOR MANUFACTURING PURPOSES			N/A	0.001 Kg	2:1	A