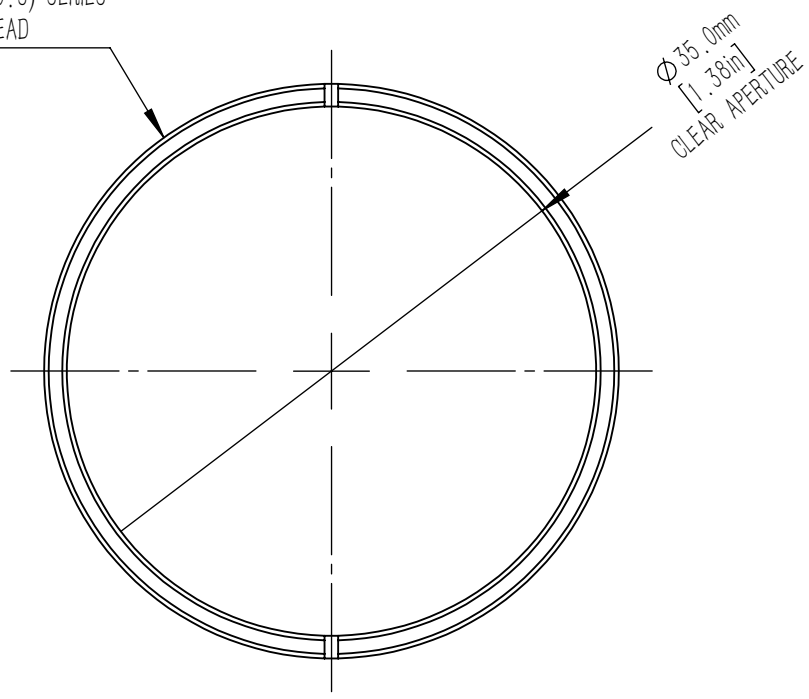


SM38 (M38 X 0.5) SERIES  
EXTERNAL THREAD



DRAWING PROJECTION			<b>LBTEK</b>			
	NAME	DATE				
DRAWN	SSO	MAR./6th/24	M38 RETAINING RING			
APPROVAL	HDE	MAR./6th/24	MATERIAL	WEIGHT	SCALE	REV
FOR INFORMATION ONLY NOT FOR MANUFACTURING PURPOSES			N/A	3.18 g	2:1	A