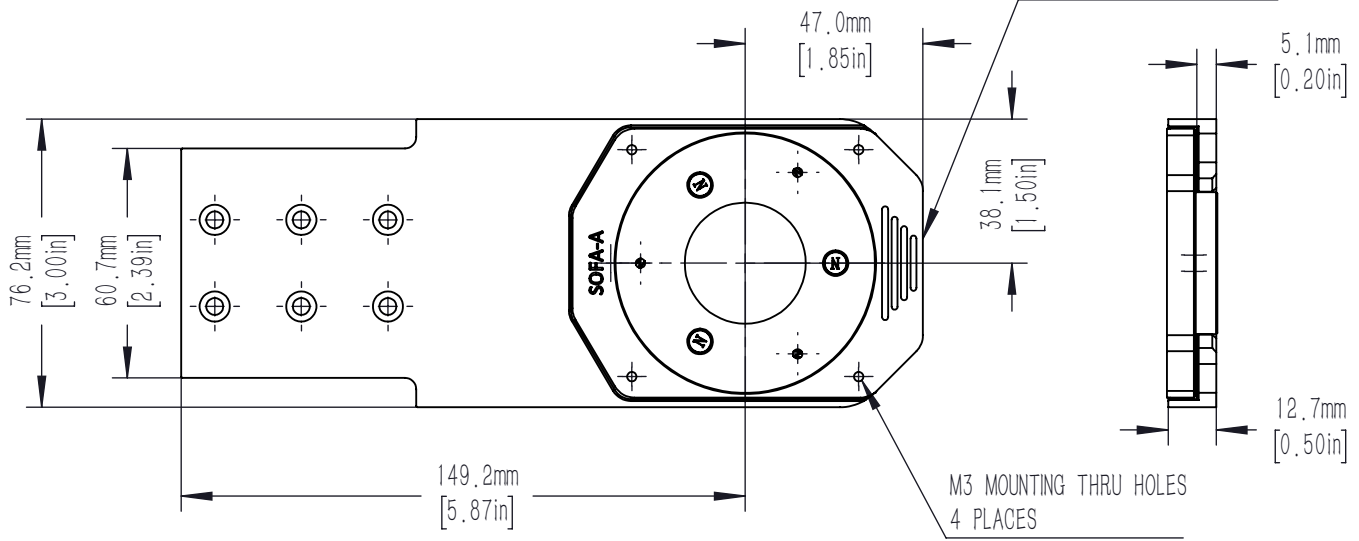
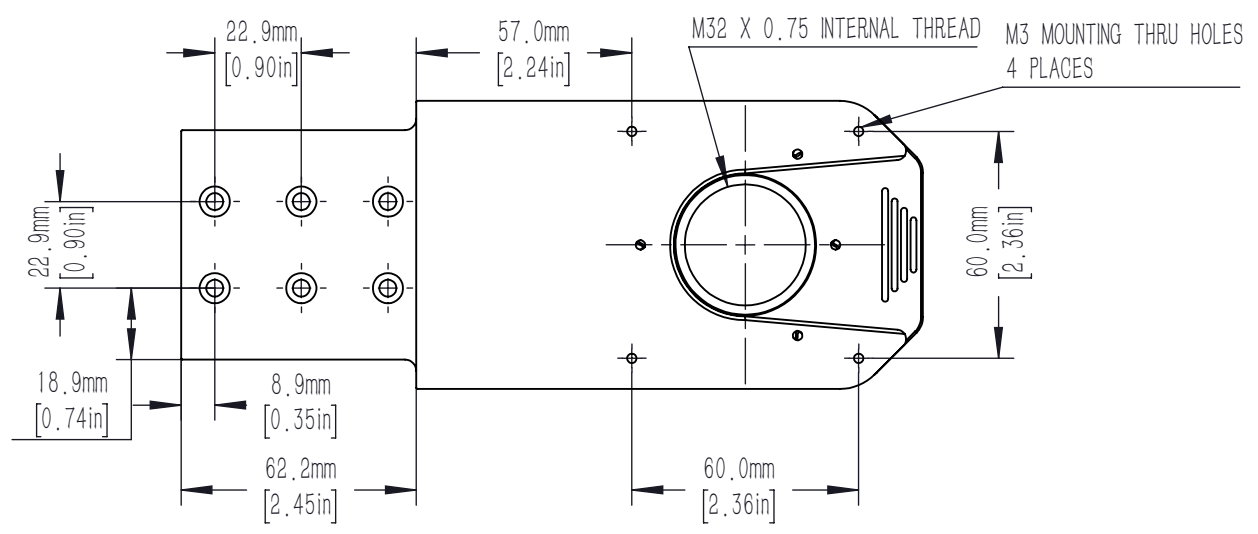
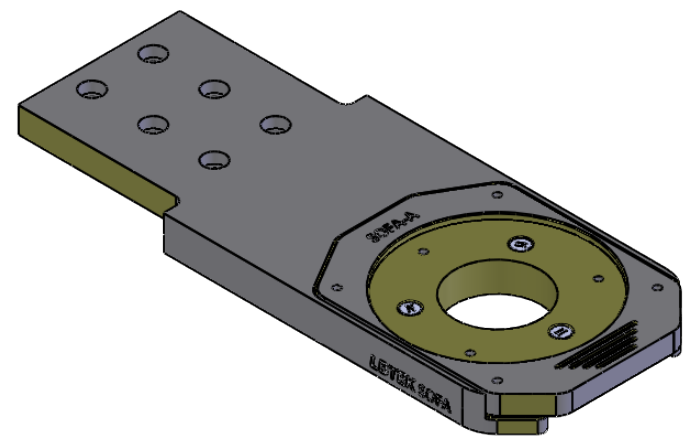
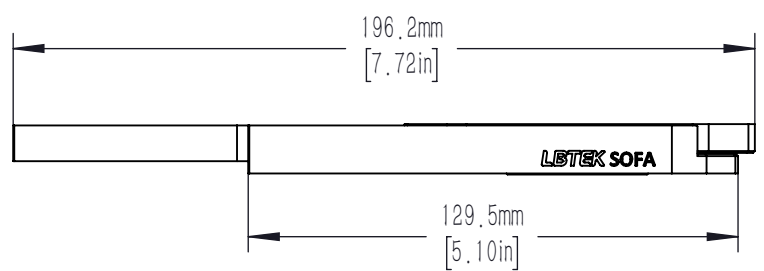


SOFA-A IS REMOVABLE
HELD IN PLACE BY MAGNETS



FOR INFORMATION ONLY
NOT FOR MANUFACTURING PURPOSES



DRAWING PROJECTION			LBTEK			
NAME	DATE	SOFA				
DRAWN	PCH	AUG./13th/25	KINEMATIC ARM NOSEPIECE AND OBJECTIVE M32 MOUNT SET			
APPROVAL	YLI	AUG./13th/25	MATERIAL	WEIGHT	SCALE	REV
FOR INFORMATION ONLY NOT FOR MANUFACTURING PURPOSES			N/A	0.363 Kg	1:2	A