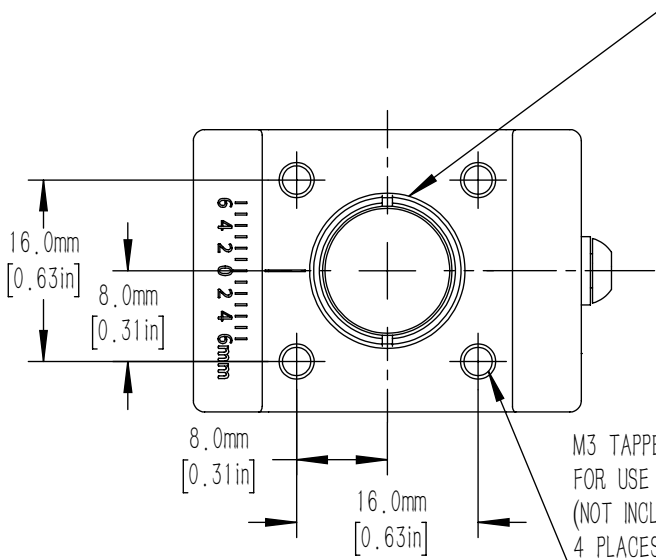
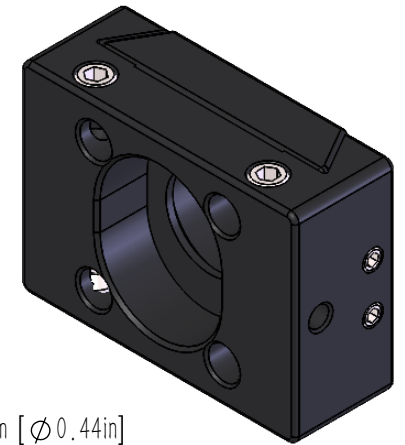
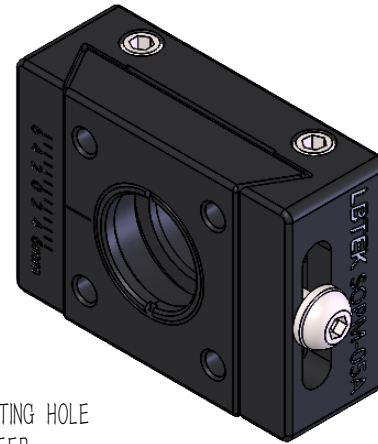
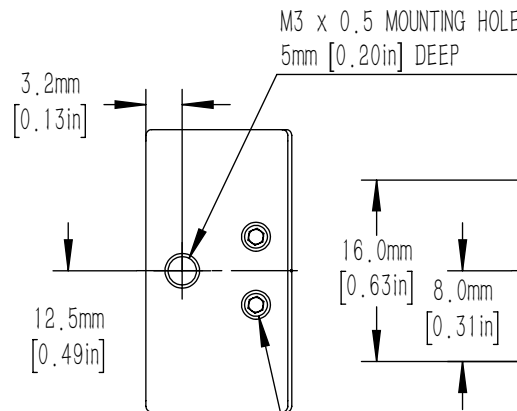


SM05 ( $\phi 0.535\text{in}-40$ ) SERIES THREAD  
 5.5mm [0.22in] DEEP  
 SM05R RETAINING RING INCLUDED

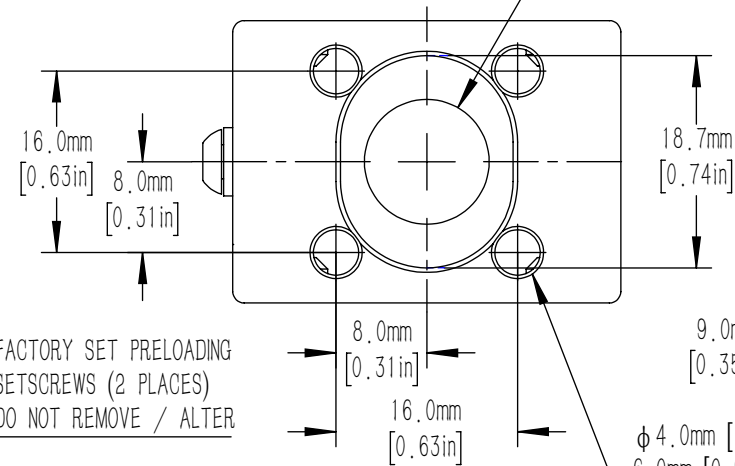


M3 TAPPED HOLE  
 FOR USE WITH  $\phi 4\text{mm}$  SERIES RODS  
 (NOT INCLUDED)  
 4 PLACES



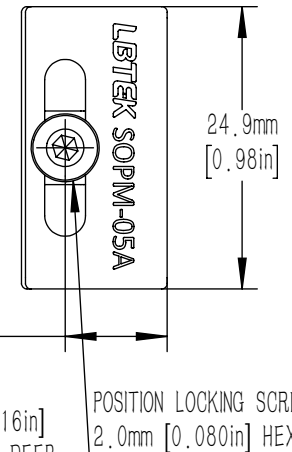
M3 x 0.5 MOUNTING HOLE  
 5mm [0.20in] DEEP

FACTORY SET PRELOADING  
 SETSCREWS (2 PLACES)  
 DO NOT REMOVE / ALTER

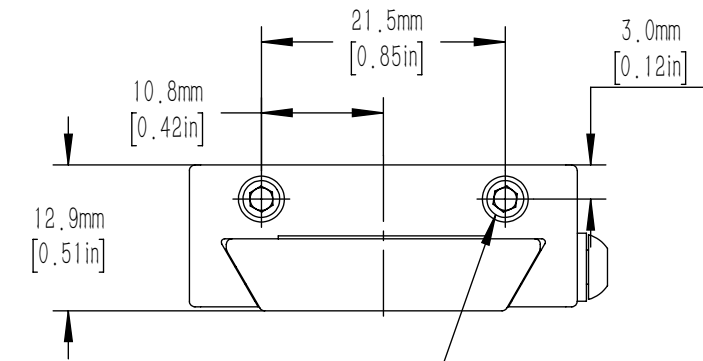


$\phi 11.0\text{mm}$  [ $\phi 0.44\text{in}$ ]  
 CLEAR APERTURE

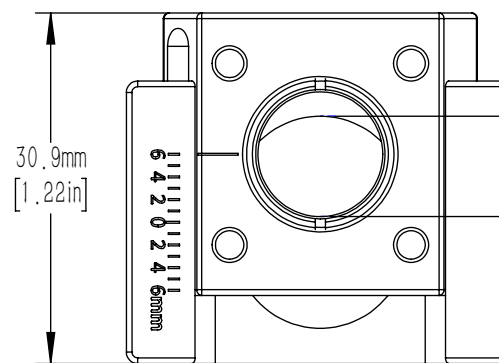
$\phi 4.0\text{mm}$  [ $\phi 0.16\text{in}$ ]  
 6.0mm [0.20in] DEEP  
 4 PLACES



POSITION LOCKING SCREW  
 2.0mm [0.080in] HEX



$\phi 4\text{mm}$  ROD LOCKING SETSCREW  
 2.0mm [5/64in] HEX  
 2 PLACES, BOTH SIDES



8.9mm [0.35in]  
 MINIMUM CLEAR APERTURE  
 AT MAXIMUM DISPLACEMENT

DRAWING PROJECTION							
	NAME	DATE	SOPM-05A				
DRAWN	HDE	Jul./5th/23	MOBILE LOAXIAL PLAT				
APPROVAL	ZXU	Jul./5th/23	MATERIAL	WEIGHT	SCALE	REV	
FOR INFORMATION ONLY NOT FOR MANUFACTURING PURPOSES			N/A	0.022 Kg	3:2	B	