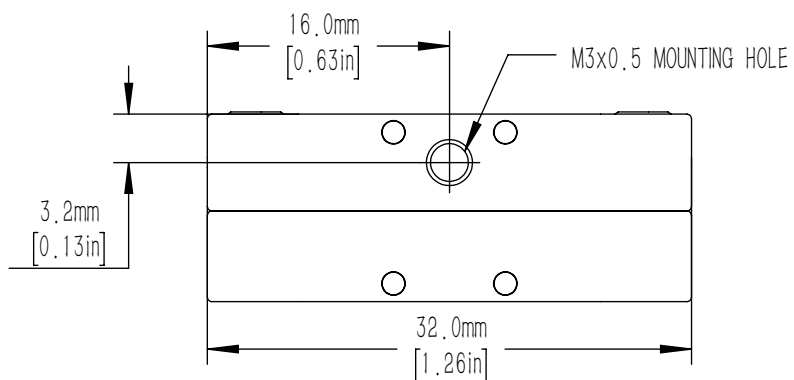
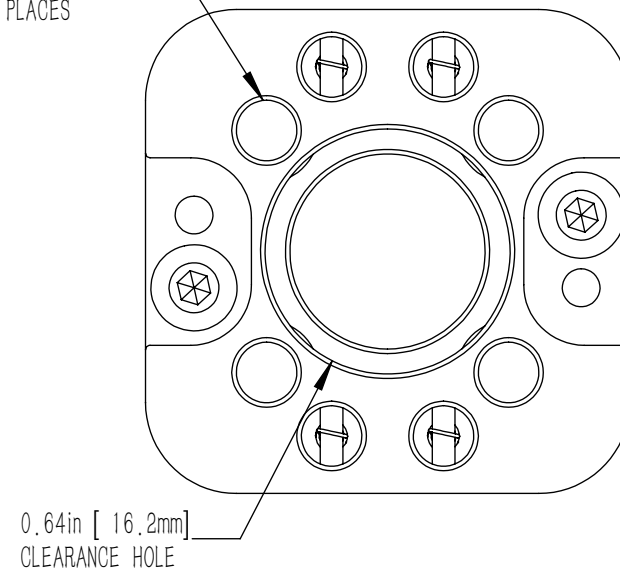


0.16in [4.0mm] THRU
FOR USE WITH
φ 4.0mm RODS
4 PLACES



DRAWING PROJECTION			LBTEK			
	NAME	DATE				
DRAWN	HDE	Jul./6th/23	16.0mm COAXIAL PLATE POSITIONER			
APPROVAL	ZXU	Jul./6th/23	MATERIAL	WEIGHT	SCALE	REV
FOR INFORMATION ONLY NOT FOR MANUFACTURING PURPOSES			N/A	0.023 Kg	2:1	B