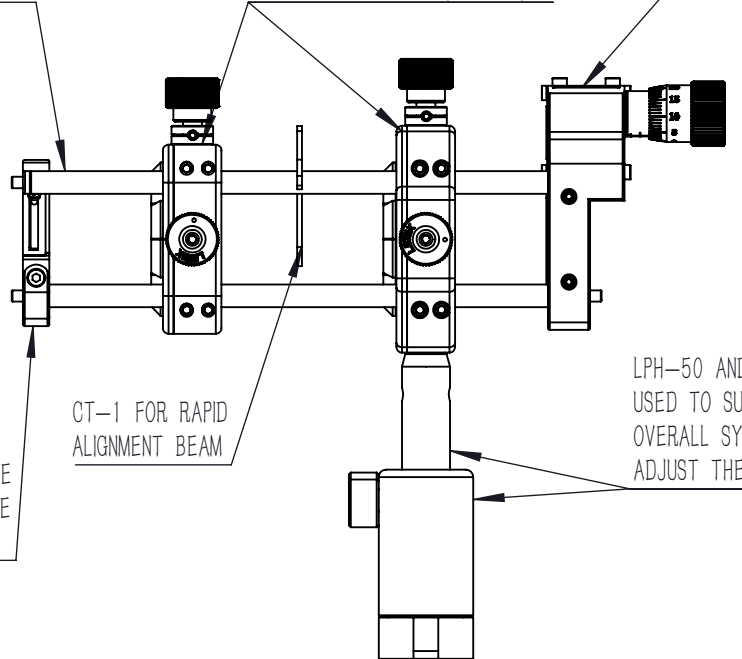


MOP-150-P4 IS USED TO CONNECT COAXIAL PRODUCTS

TXY1 AND TXY1S ARE USED FOR XY AXIAL ADJUSTMENT, ADJUSTMENT RANGE ( $\pm 1\text{mm}$ )

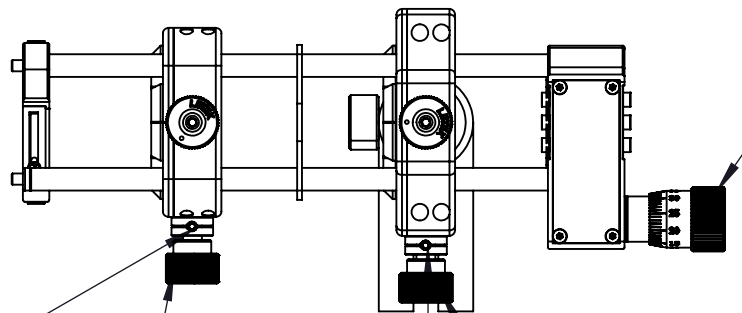
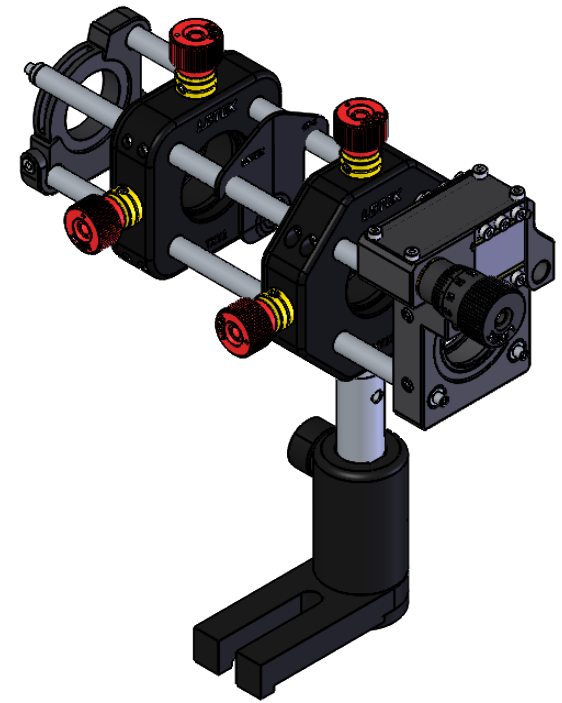
MFT IS USED IN Z AXIAL ADJUSTMENT, ADJUSTMENT RANGE (1mm)



CSD 20 IS USED TO ADJUST THE SIZE OF THE SPOT, ADJUST THE RANGE ( $\phi 1\text{mm} \sim \phi 20.5\text{mm}$ )

CT-1 FOR RAPID ALIGNMENT BEAM

LPH-50 AND OP-50 ARE USED TO SUPPORT THE OVERALL SYSTEM AND ADJUST THE HEIGHT



GRADUATED ADJUSTER KNOB  
1  $\mu\text{m}$  TRANSLATIONS PER DIVISION  
(50 DIVISIONS PER REVOLUTION)

LOCKING FOR ADJUSTER KNOB  
1.5mm(0.06in) HEX  
2 PLACES

ADJUSTER KNOB WITH 2.0mm (5/64in) HEX  
M5x0.25 THREAD, 0.25mm/REV [0.01in/REV]  
2 PLACES

LOCKING FOR ADJUSTER KNOB  
1.5mm(0.06in) HEX  
2 PLACES

ADJUSTER KNOB WITH 2.0mm (5/64in) HEX  
M5x0.25 THREAD, 0.25mm/REV [0.01in/REV]  
2 PLACES

DRAWING PROJECTION			<b>LBTEK</b>			
	NAME	DATE				
DRAWN	CCH	Nov./25th/21	SPATIAL FILTERING SYSTEM			
APPROVAL	CZH	Noc./25th/21	MATERIAL	WEIGHT	SCALE	REV
FOR INFORMATION ONLY NOT FOR MANUFACTURING PURPOSES			N/A	0.724 Kg	1:2	B