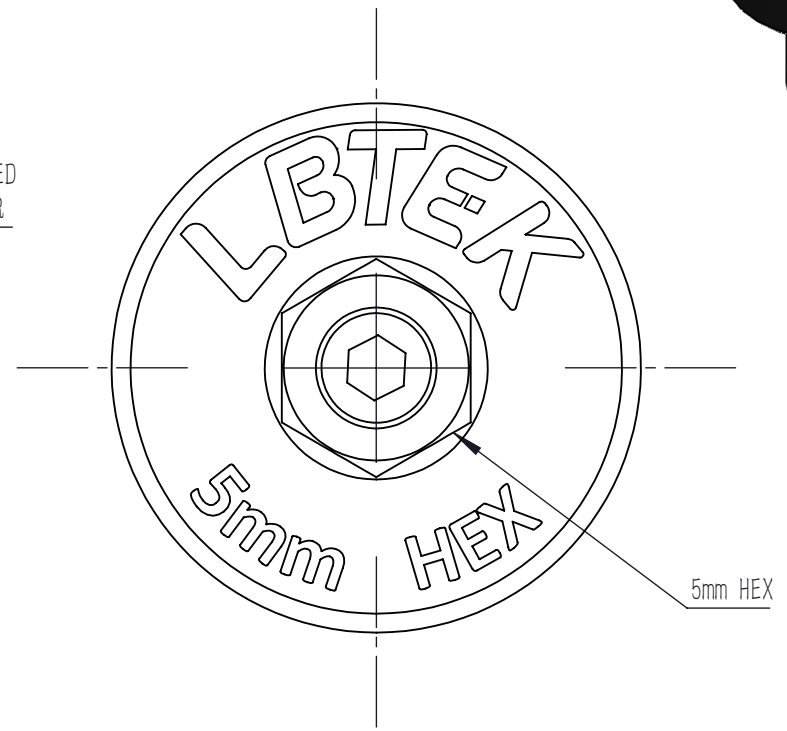
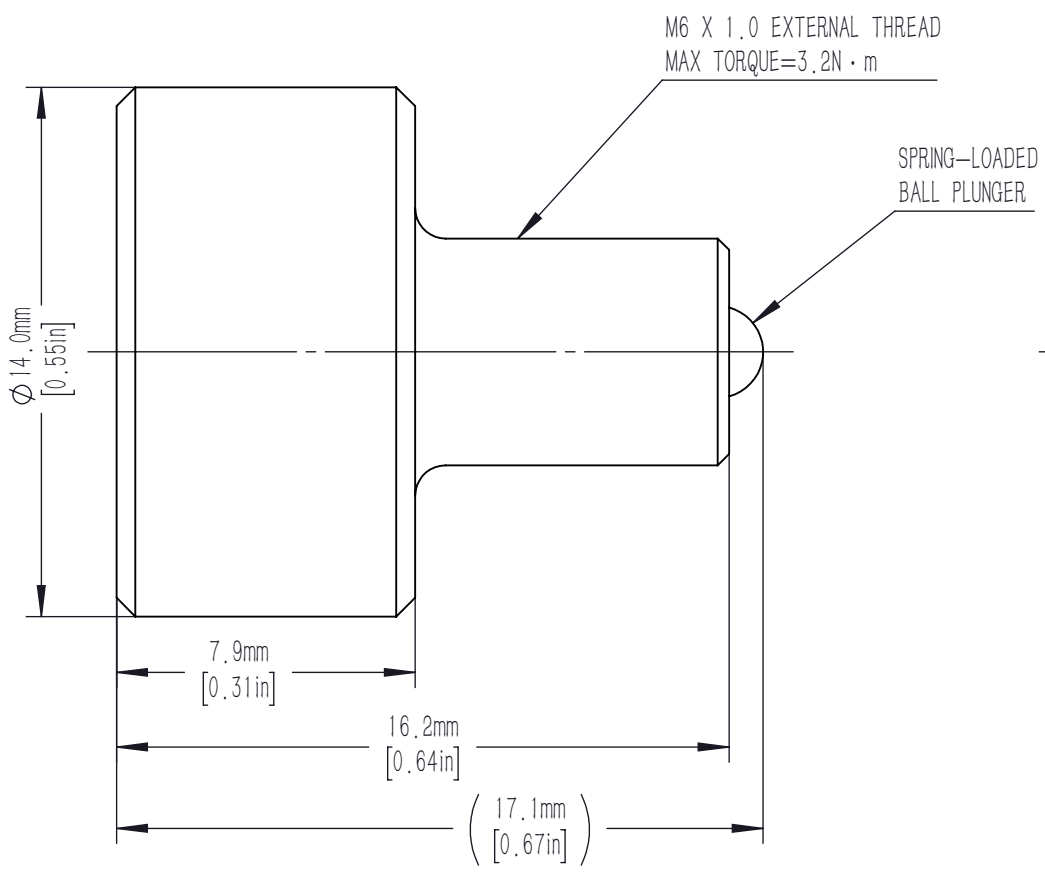


VIEW SCALE=2:1



DRAWING PROJECTION			<b>LBTEK</b>			
	NAME	DATE				
DRAWN	CZH	MAY./26th/20	SPRING-LOADED THUMBSCREW			
APPROVAL	YCH	MAY./26th/20	MATERIAL	WEIGHT	SCALE	REV
FOR INFORMATION ONLY NOT FOR MANUFACTURING PURPOSES			N/A	4 g	5:1	C