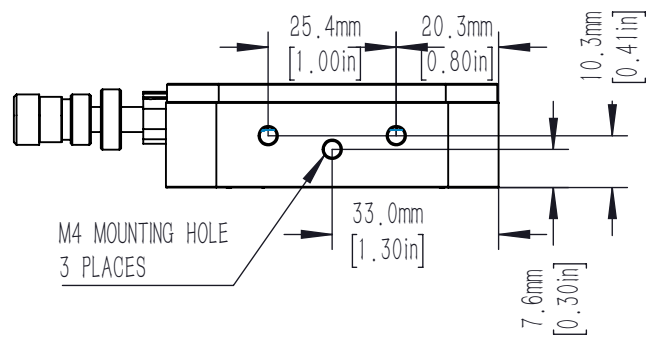
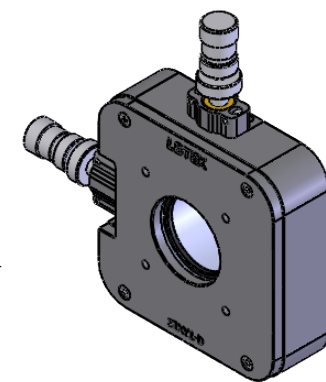
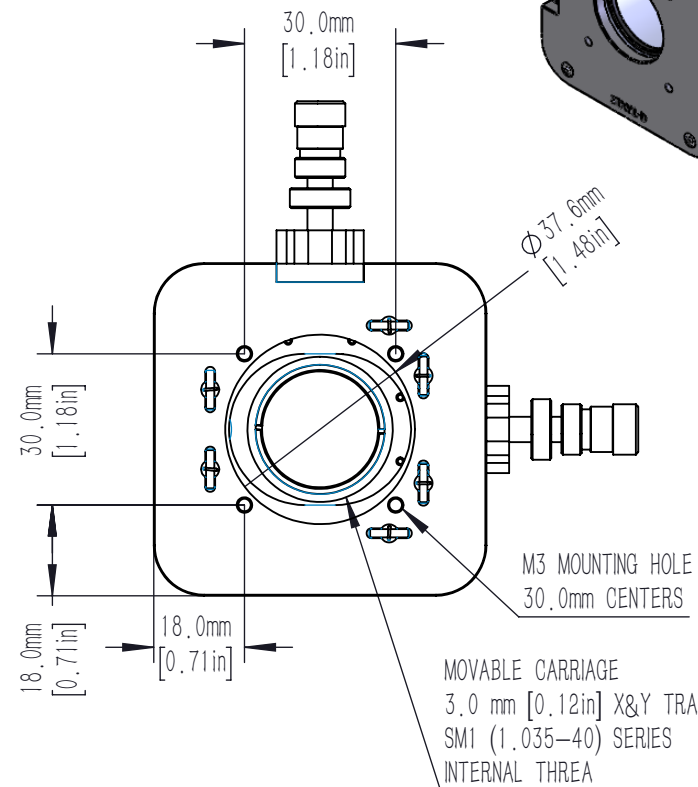
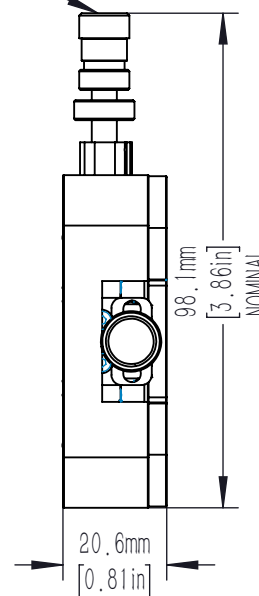


DIFFERENTIAL ADJUSTERS  
50.0um/REVOLUTION, FINE  
500.0um/REVOLUTION, COARSE



DRAWING PROJECTION			<b>LBTEK</b>			
	NAME	DATE				
DRAWN	PCHEN	Jan./29th/26	X Y adjustment frame Equipped with differential drive head			
APPROVAL	YHLI	Jan./29th/26	MATERIAL	WEIGHT	SCALE	REV
FOR INFORMATION ONLY NOT FOR MANUFACTURING PURPOSES			N/A	0.176 Kg	1:1.5	A

FOR INFORMATION ONLY  
NOT FOR MANUFACTURING PURPOSES