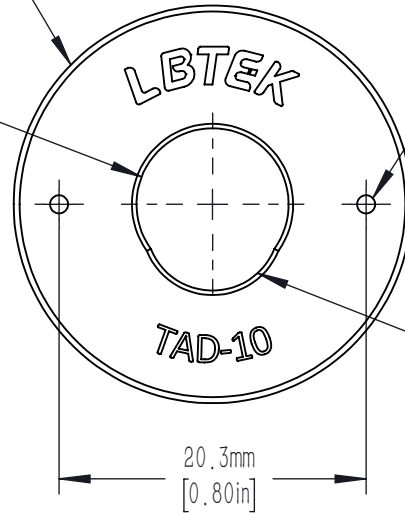


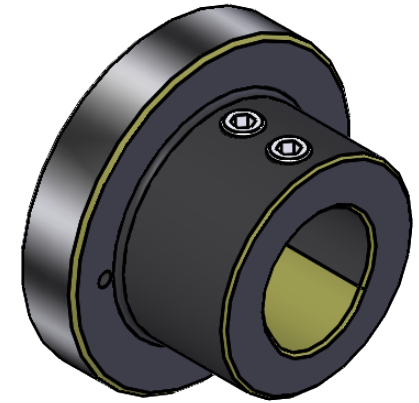
SM1 (1.035"-40)
EXTERNAL THREADS

Ø 10.1mm
[0.40in]
ACCEPTS 10.0mm
FIBER COLLIMATION PACKAGES

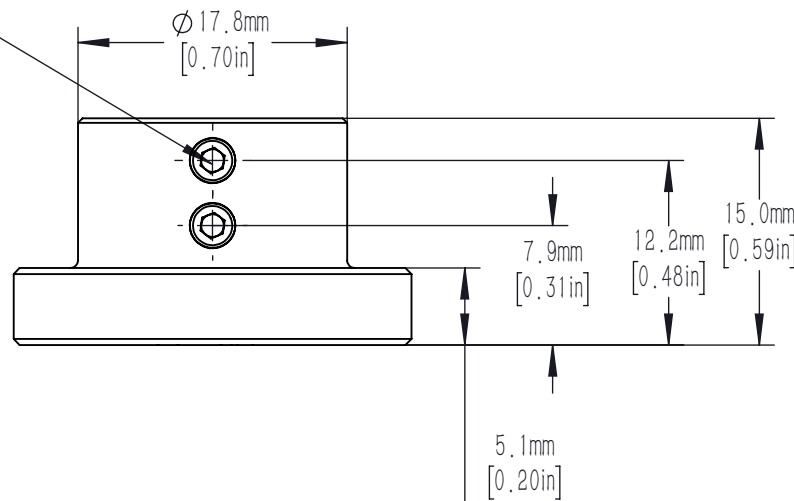


2X Ø 1.2mm [0.05in] HOLES FOR
OWR-1B SPANNER WRENCH

DOUBLE BORE
PROVIDING THREE POINT CONTACT
WITH POM TIPPED SETSCREW



M3x0.5 POM-TIPPED
LOCKING SETSCREW
1.5mm [1/16in] HEX
2 PLACES



DRAWING PROJECTION			LBTEK			
	NAME	DATE	TAD-10			
DRAWN	YCH	MAY. /18th/21	SM1 THREAD ADAPTER			
APPROVAL	WCH	MAY. /18th/21	MATERIAL	WEIGHT	SCALE	REV
FOR INFORMATION ONLY NOT FOR MANUFACTURING PURPOSES			ALUMINIUM	0.011 Kg	2:1	B