

SM1 (1.035"-40)
EXTERNAL THREAD

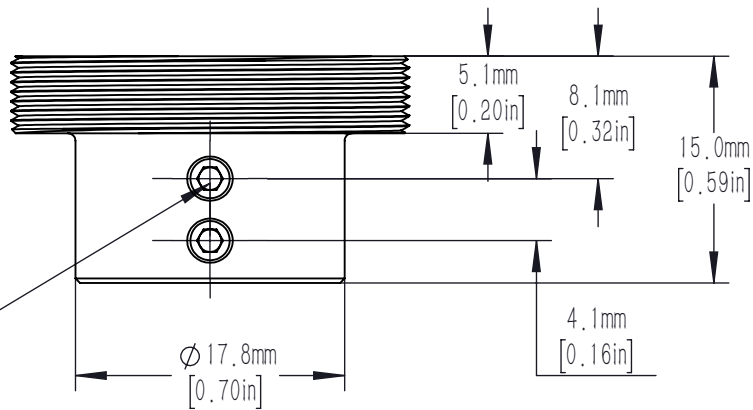
∅12mm [0.47in]
CLEARANCE HOLE

2X ∅1.2mm [0.05in] HOLES FOR
OWR-1B SPANNER WRENCH

DOUBLE BORE
PROVIDING 3 POINTS CONTACT
WITH NYLON-TIPPED SETSCREWS



M3x0.5 NYLON-TIPPED
SECURING SETSCREWS
1.5mm [0.06in] HEX
2 PLACES



DRAWING PROJECTION			LBTEK			
	NAME	DATE	TAD-12			
DRAWN	ZYANG	JUN./25th/19	SM1 THREAD ADAPTER			
APPROVAL	LDAI	JUN./25th/19	MATERIAL	WEIGHT	SCALE	REV
FOR INFORMATION ONLY NOT FOR MANUFACTURING PURPOSES			ALUMINIUM	0.01 Kg	2:1	B