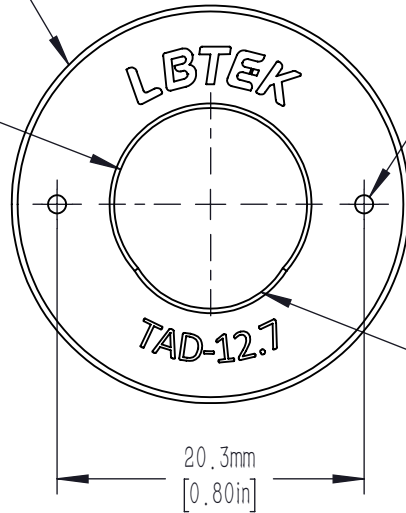


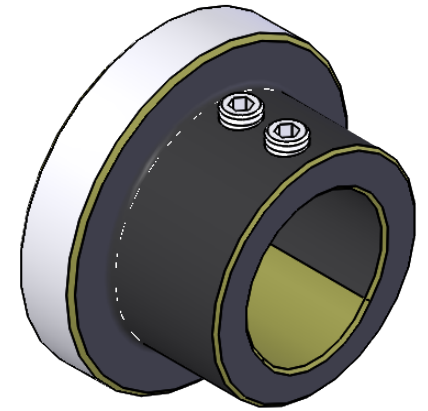
SM1 (1.035"-40)  
EXTERNAL THREADS

Ø 12.8mm  
[0.50in]  
ACCEPTS 12.7mm  
FIBER COLLIMATION PACKAGES

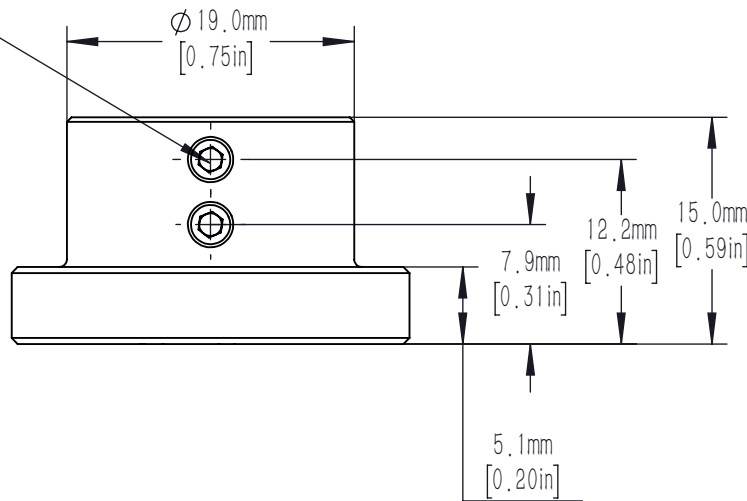


2X Ø 1.2mm [0.05in] HOLES FOR  
OWR-1B SPANNER WRENCH

DOUBLE BORE  
PROVIDING THREE POINT CONTACT  
WITH POM TIPPED SETSCREW



M3x0.5 POM-TIPPED  
LOCKING SETSCREW  
1.5mm [1/16in] HEX  
2 PLACES



DRAWING PROJECTION			<b>LBTEK</b>			
NAME	DATE	TAD-12.7				
DRAWN	YCH	MAY./18th/21	SM1 THREAD ADAPTER			
APPROVAL	WCH	MAY./18th/21	MATERIAL	WEIGHT	SCALE	REV
FOR INFORMATION ONLY NOT FOR MANUFACTURING PURPOSES			ALUMINIUM	0.010 Kg	2:1	B