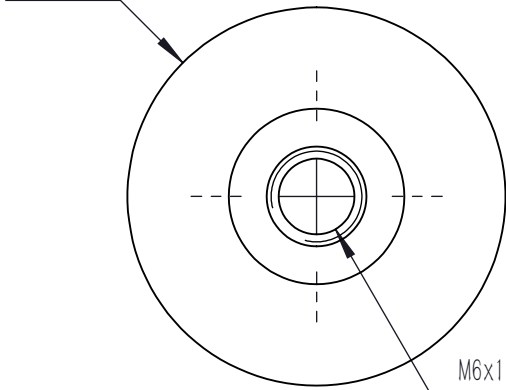
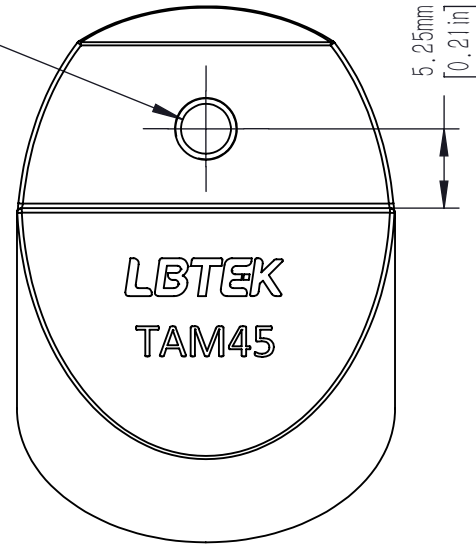


M4x0.7 MOUNTING HOLE  
FOR USE WITH AM SERIES MOUNTS

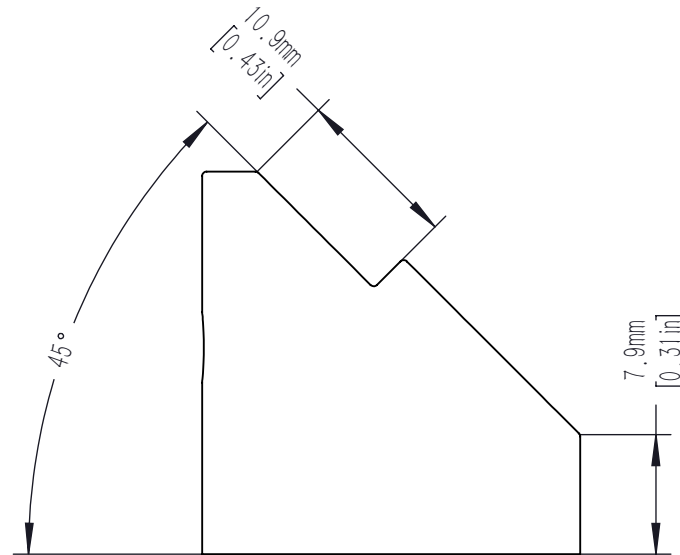
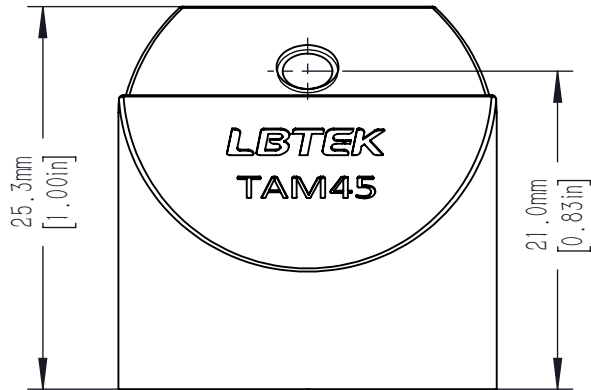
Ø 25.0mm  
[0.98in]



M6x1.0 MOUNTING HOLE  
7.5mm [0.30in] DEEPM



VIEW NORMAL TO  
FRONT FACE 45°



DRAWING PROJECTION			<b>LBTEK</b>			
NAME	DATE	TAM45				
DRAWN	HDE	July./22th/21	45° ADJUSTABLE MOUNT			
APPROVAL	ZXU	July./22th/21	MATERIAL	WEIGHT	SCALE	REV
FOR INFORMATION ONLY NOT FOR MANUFACTURING PURPOSES			ALUMINUM	0.023 Kg	2:1	B