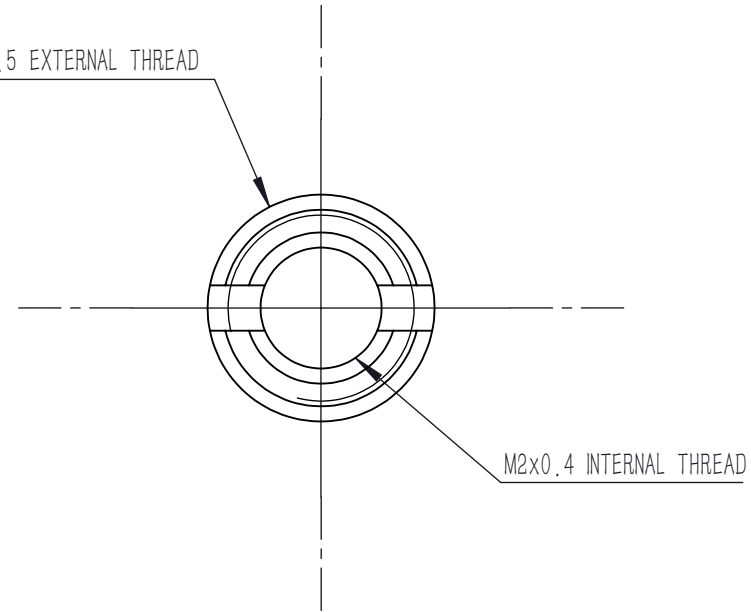


M3x0.5 EXTERNAL THREAD



DRAWING PROJECTION			LBTEK			
	NAME	DATE				
DRAWN	ZLI	MAR./6th/20	M3 x 0.5 EXTERNAL TO M2 x 0.4 INTERNAL THREAD ADAPTE			
APPROVAL	HDE	MAR./6th/20	MATERIAL	WEIGHT	SCALE	REV
FOR INFORMATION ONLY NOT FOR MANUFACTURING PURPOSES			N/A	0.000 Kg	10:1	A