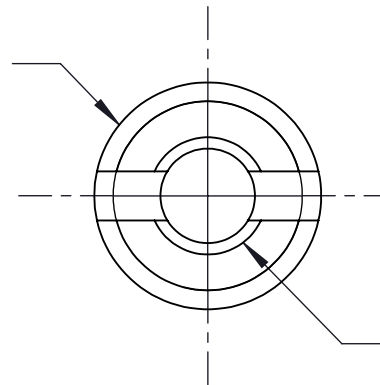


M6x1.0 EXTERNAL THREAD



M3x0.5 INTERNAL THREAD

DRAWING PROJECTION			LBTEK			
	NAME	DATE	TAS1-M3M6			
DRAWN	ZYANG	JUN./25th/19	M6 x 1.0 EXTERNAL TO M3 x 0.5 INTERNAL THREAD ADAPTER			
APPROVAL	LDAI	JUN./25th/19	MATERIAL	WEIGHT	SCALE	REV
FOR INFORMATION ONLY NOT FOR MANUFACTURING PURPOSES			STAINLESS STEEL	1.74 g	5:1	A