

Ø 10.0mm
[0.39in]

φ 2.0mm [0.08in] THRU
FOR SECURE LOCK
TO COMPONENTS

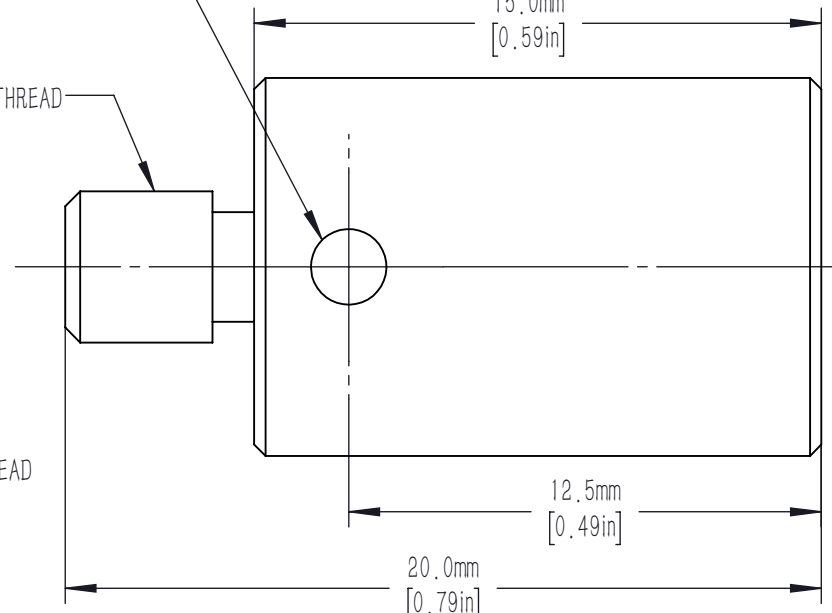
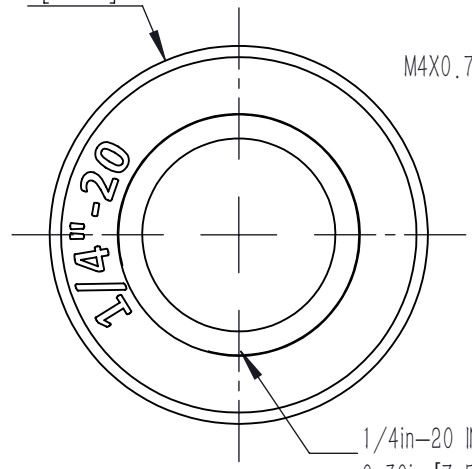
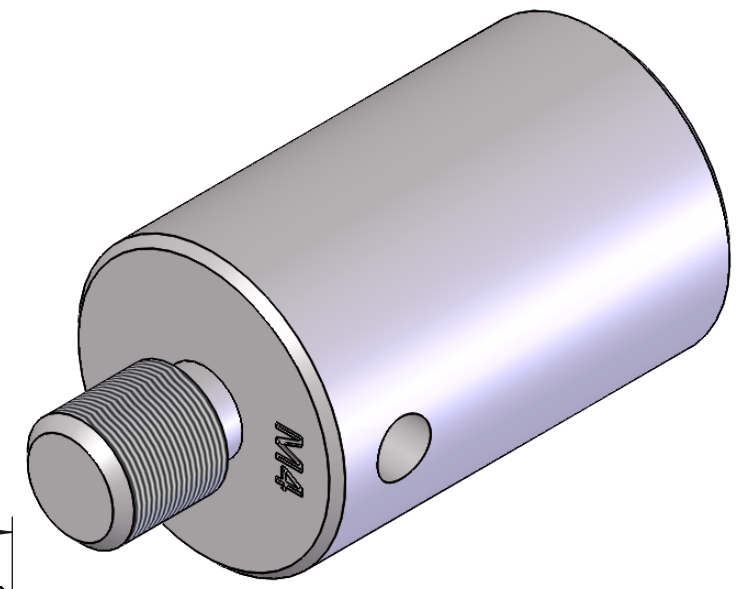
M4X0.7 EXTERNAL THREAD

1/4in-20 INTERNAL THREAD
0.30in [7.5mm] DEEP

15.0mm
[0.59in]

12.5mm
[0.49in]

20.0mm
[0.79in]



DRAWING PROJECTION			LBTEK			
NAME	DATE					
DRAWN	ZYANG	NOV./11th/19	M4X0.7 EXTERNAL TO 1/4in-20 INTERNAL THREAD ADAPTER			
APPROVAL	YCH	NOV./11th/19	MATERIAL	WEIGHT	SCALE	REV
FOR INFORMATION ONLY NOT FOR MANUFACTURING PURPOSES			STAINLESS STEEL	0.008 Kg	5:1	A