

Ø 10.0mm
[0.39in]

φ 2.0mm [0.08in] THRU
FOR SECURE LOCK
TO COMPONENTS

M6X1.0 EXTERNAL THREAD

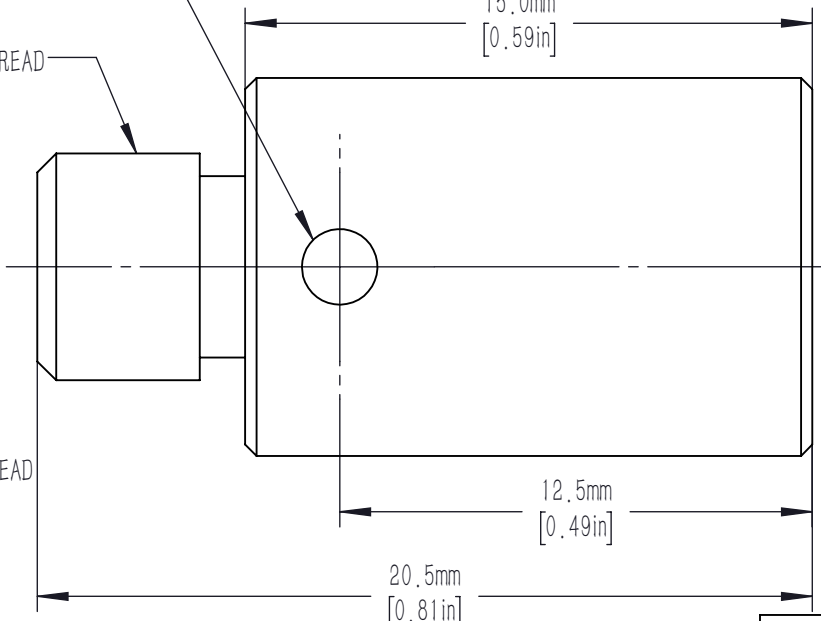
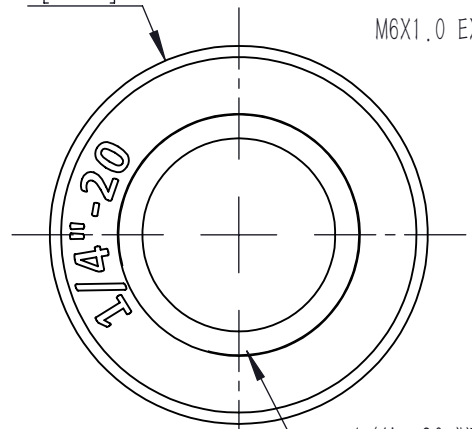
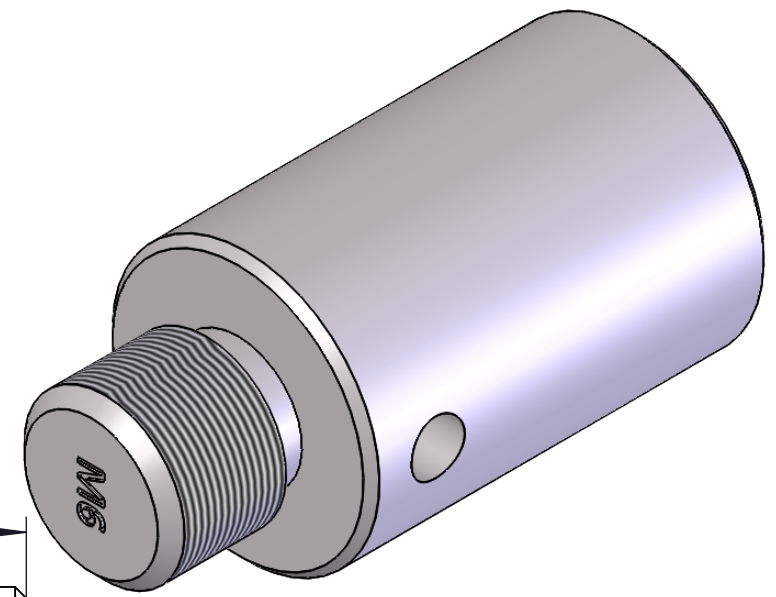
15.0mm
[0.59in]

1/4"-20

1/4in-20 INTERNAL THREAD
0.30in [7.5mm] DEEP

12.5mm
[0.49in]

20.5mm
[0.81in]



DRAWING PROJECTION

LBTEK

NAME DATE

TAS3-M6E25

DRAWN ZYANG NOV./11th/19

M6X1.0 EXTERNAL TO
1/4in-20 INTERNAL THREAD ADAPTER

APPROVAL YCH NOV./11th/19

MATERIAL WEIGHT SCALE REV

FOR INFORMATION ONLY
NOT FOR MANUFACTURING PURPOSES

STAINLESS STEEL 0.009 Kg 5:1 A