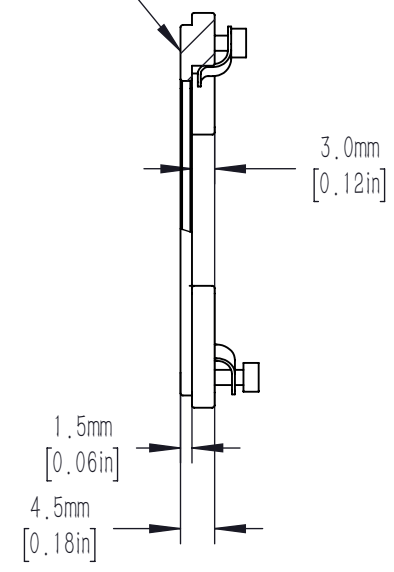


Assemble rectangular optical components with dimensions of 26mm x 38mm x 1mm

Compatible with top bread board (TBB25-T) for use



DRAWING PROJECTION			<b>LBTEK</b>			
	NAME	DATE	TBB25-T-P			
DRAWN	ZZH	NOV./25th/25	26mm x 38mm RECTANGULAR OPTICAL ELEMENT ADAPTER			
APPROVAL	YLI	NOV./25th/25	MATERIAL	WEIGHT	SCALE	REV
FOR INFORMATION ONLY NOT FOR MANUFACTURING PURPOSES			N/A	0.009 Kg	1:1	A