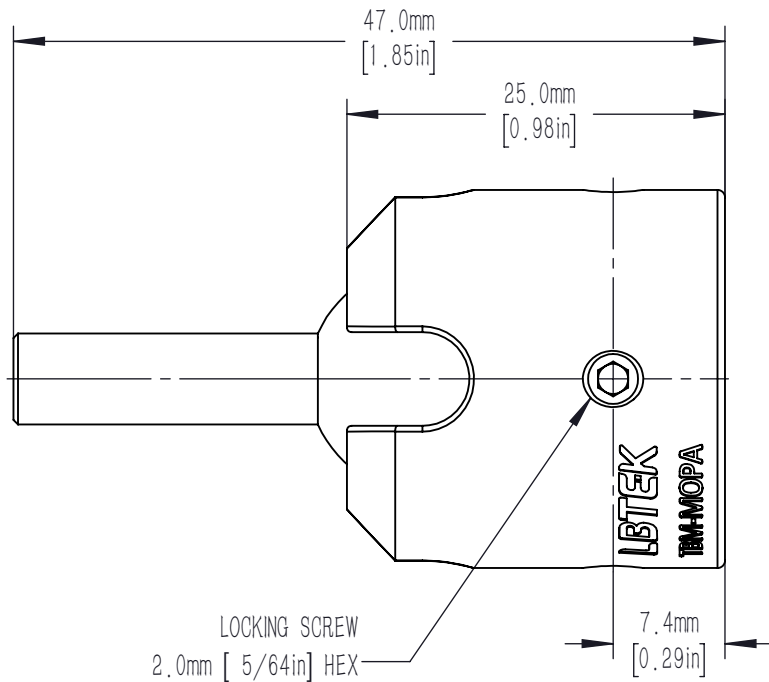
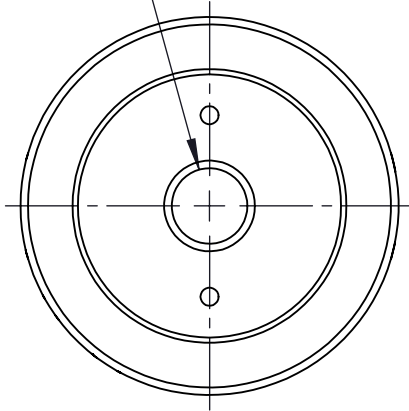
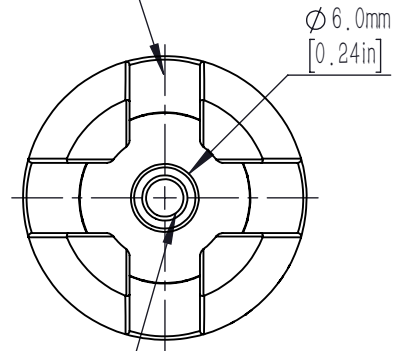


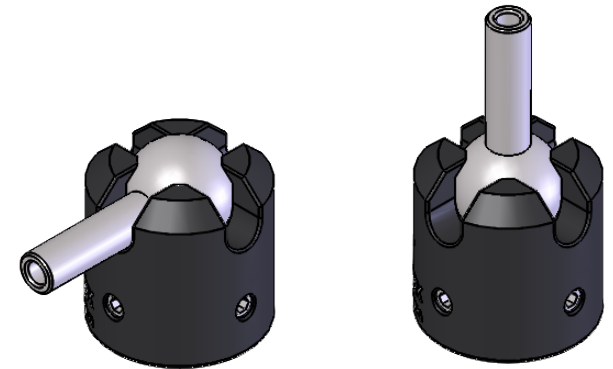
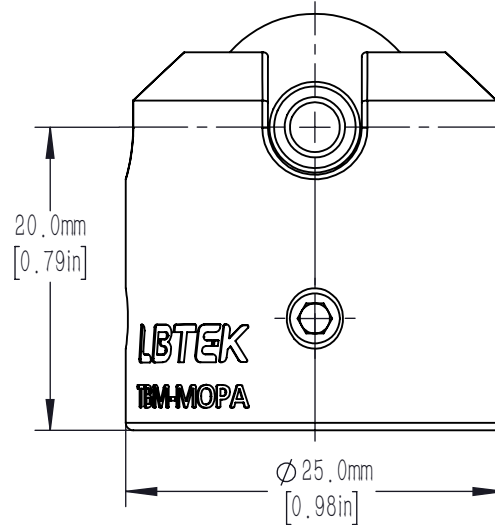
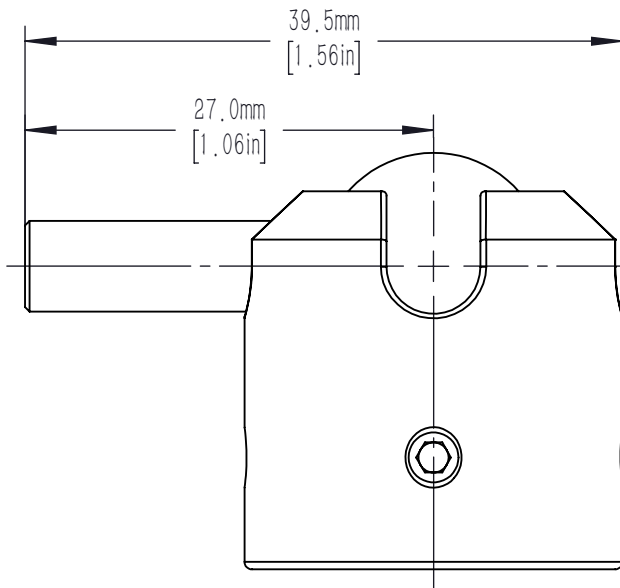
M6 x 1.0 INTERNAL THREAD
6.0mm[0.24in] DEEP



CHANNEL FOR 90° POSITIONING
4 PLACES AT 90°



M4 x 0.7 INTERNAL THREAD
5.5mm[0.22in] DEEP



DRAWING PROJECTION			LBTEK			
	NAME	DATE	TBM-MOPA			
DRAWN	ZYANG	DEC./5th/19	LOCKING BALL AND SOCKET MOUNT			
APPROVAL	YCHI	DEC./5th/19	MATERIAL	WEIGHT	SCALE	REV
FOR INFORMATION ONLY NOT FOR MANUFACTURING PURPOSES			N/A	0.047 Kg	2:1	B