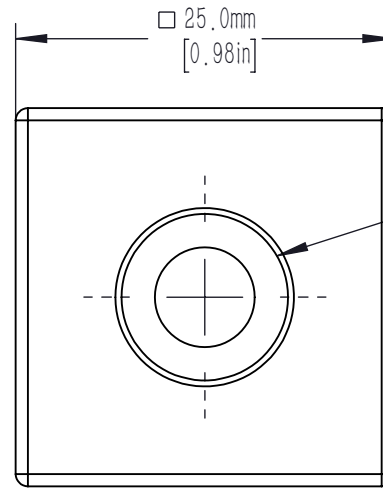
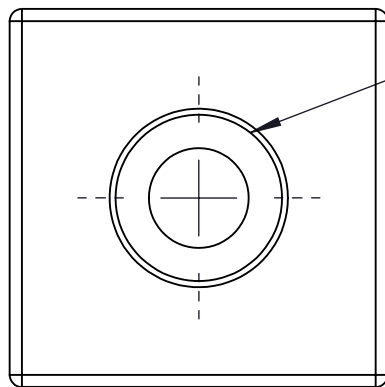


COUNTERBORE HOLE FOR
M6X1.0 CAP SCREW



COUNTERBORE HOLE FOR
M6X1.0 CAP SCREW



COUNTERBORE HOLE FOR
M6X1.0 CAP SCREW

DRAWING PROJECTION			LBTEK			
	NAME	DATE	TC-1A			
DRAWN	CZH	SEPT./14th/2	TECTONIC CUBE			
APPROVAL	ZXU	SEPT./14th/2	MATERIAL	WEIGHT	SCALE	REV
FOR INFORMATION ONLY NOT FOR MANUFACTURING PURPOSES			N/A	0.029 Kg	2:1	B