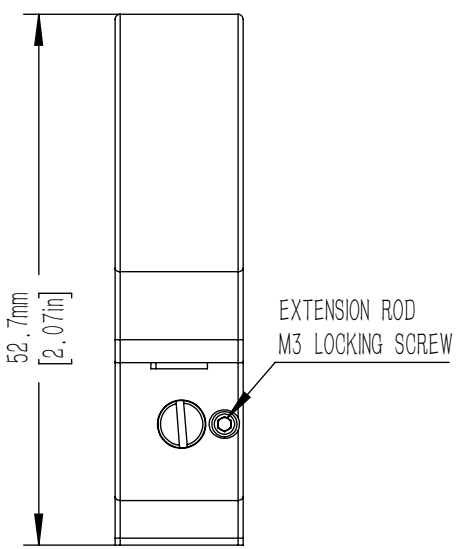
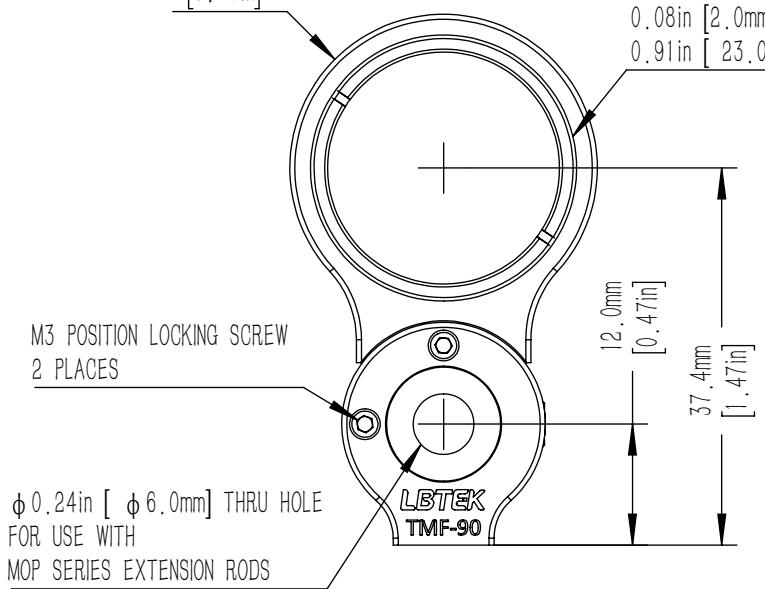


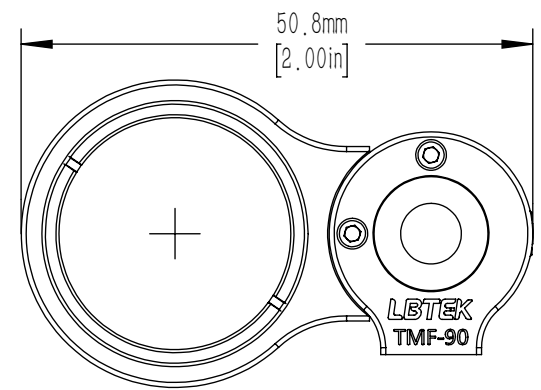
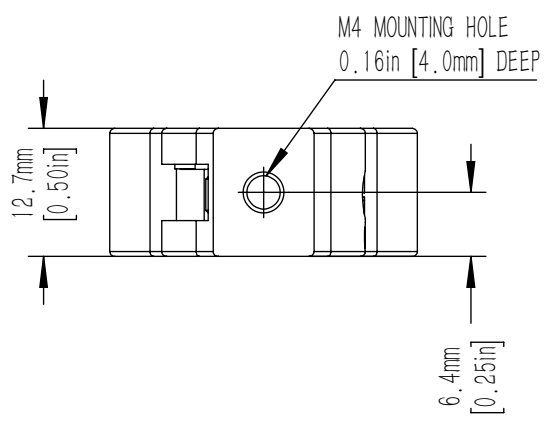
$\phi$  30.5mm  
 [1.20in]

SM1 SERIES INTERNAL THREAD  
 0.47in [11.9mm] DEEP  
 SM1R RETAINING RING INCLUDED  
 0.08in [2.0mm] THICK  
 0.91in [23.0mm] CLEAR APRETURE

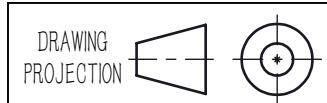


M3 POSITION LOCKING SCREW  
 2 PLACES

$\phi$  0.24in [  $\phi$  6.0mm ] THRU HOLE  
 FOR USE WITH  
 MOP SERIES EXTENSION RODS



AUX 0° POSITION



DRAWING PROJECTION				<b>LBTEK</b>			
	NAME	DATE	TMF-90				
DRAWN	HDE	Sept./30th/21	90° FLIP MOUNT				
APPROVAL	ZXU	Sept./30th/21	MATERIAL	WEIGHT	SCALE	REV	
FOR INFORMATION ONLY NOT FOR MANUFACTURING PURPOSES			ALUMINUM	0.026Kg	4:3	B	