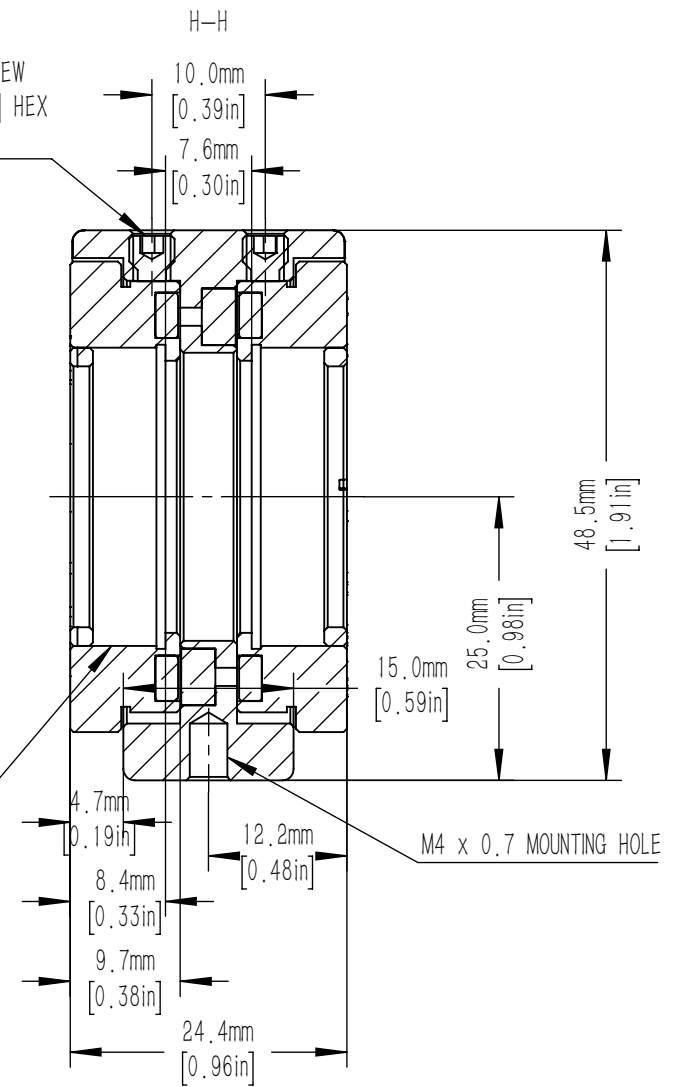


SM1 (1.035in-40) SERIES THREAD  
 8.4mm [0.33in] DEEP  
 ACCEPTS 25.4mm [1.00in] OPTICS  
 UPTO 6.4mm [0.25in] THICK

NYLON TIPPED  
 LOCKING SETSCREW  
 2.0mm [5/64in] HEX  
 2 PLACES



DRAWING PROJECTION			<b>LBTEK</b>			
NAME	DATE	TRM1				
DRAWN	SSO	MAR./6th/24	DUAL LENS MOUNT FOR $\phi 25.4$ OPTICS, METRIC			
APPROVAL	HDE	MAR./6th/24	MATERIAL	WEIGHT	SCALE	REV
FOR INFORMATION ONLY NOT FOR MANUFACTURING PURPOSES			N/A	0.072 Kg	3:2	A