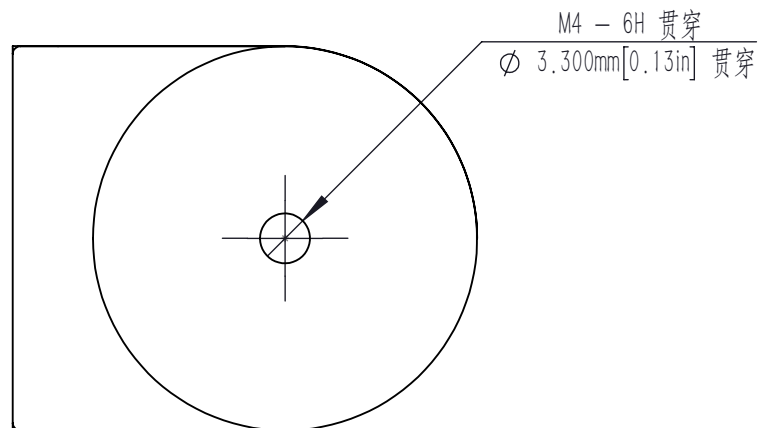


视图 A
2 : 1



DRAWING PROJECTION			LBTEK			
	NAME	DATE	TS-01A			
DRAWN	YWE	FEB./18th/25	MATERIAL	WEIGHT	SCALE	REV
APPROVAL		FEB./18th/25	N/A	0.06 Kg	1:1	A
FOR INFORMATION ONLY NOT FOR MANUFACTURING PURPOSES						