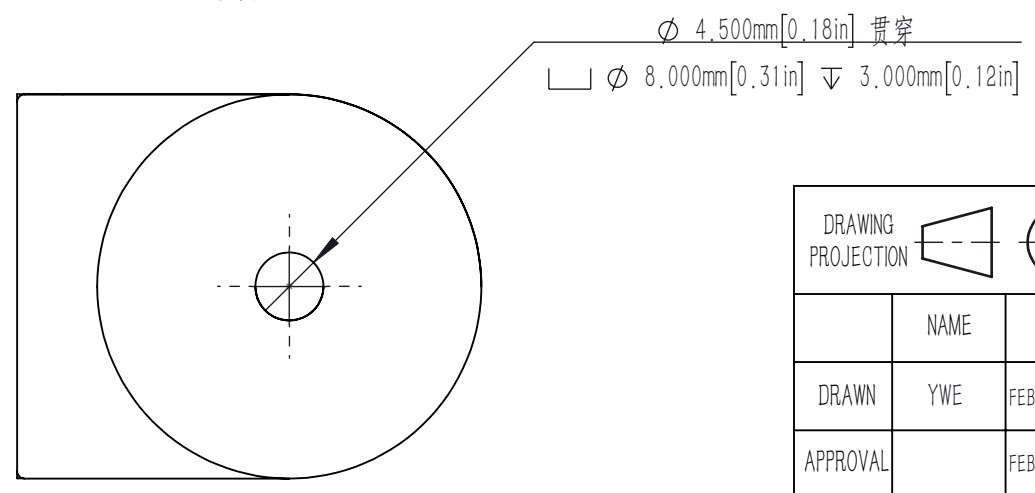


视图 A



DRAWING PROJECTION			LBTEK			
NAME	DATE	Stainless steel tilting base				
DRAWN	YWE	FEB./18th/25	TS-01B			
APPROVAL		FEB./18th/25	MATERIAL	WEIGHT	SCALE	REV
FOR INFORMATION ONLY NOT FOR MANUFACTURING PURPOSES			N/A	0.06 Kg	2:1	A