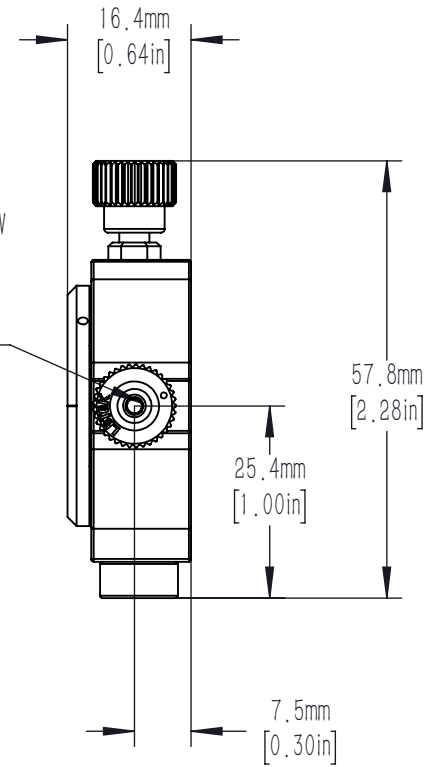
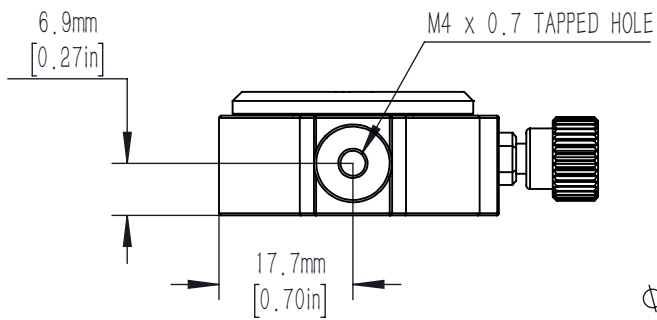


SM05 ( $\phi 0.535-40$ ) INTERNAL THREAD  
 11.9mm [0.47in] DEEP  
 FOR USE WITH  $\phi 12.7$ mm [ $\phi 0.50$ in] OPTICS  
 SM05R RETAINING RING INCLUDED

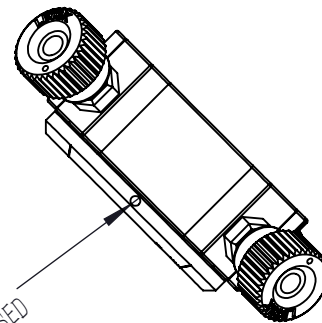
M4 ADJUSTER SCREW  
 200  $\mu$ m/REV  
 2mm HEX  
 2 PLACES



视图 B



$\phi 1.3$ mm  
 [0.05in]  
 WRENCH HOLE IS USED  
 FOR TURNING



DRAWING PROJECTION			<b>LBTEK</b>			
NAME	DATE	TXY05-N				
DRAWN	ZZH	DEC/9th/25	1/2" XY OPTICAL TRANSLATING LENS MOUNT			
APPROVAL	YLI	DEC/9th/25	MATERIAL	WEIGHT	SCALE	REV
FOR INFORMATION ONLY NOT FOR MANUFACTURING PURPOSES			N/A	0.036 Kg	1:1	A