

8 mm [0.32in]
 KNURLED ADJUSTMENT KNOB
 2.0mm [5/64in] HEX
 PROVIDES +/-1mm ADJUSTMENT RANGE
 AT 250µm / REV RESOLUTION
 2 PLACE

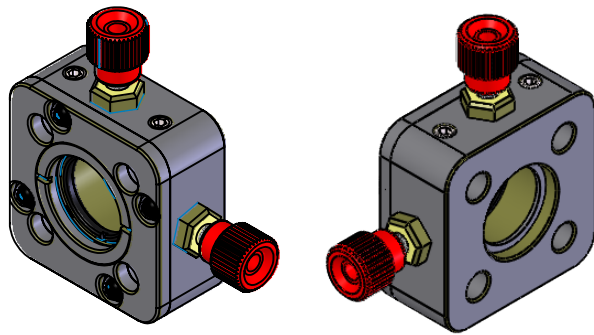
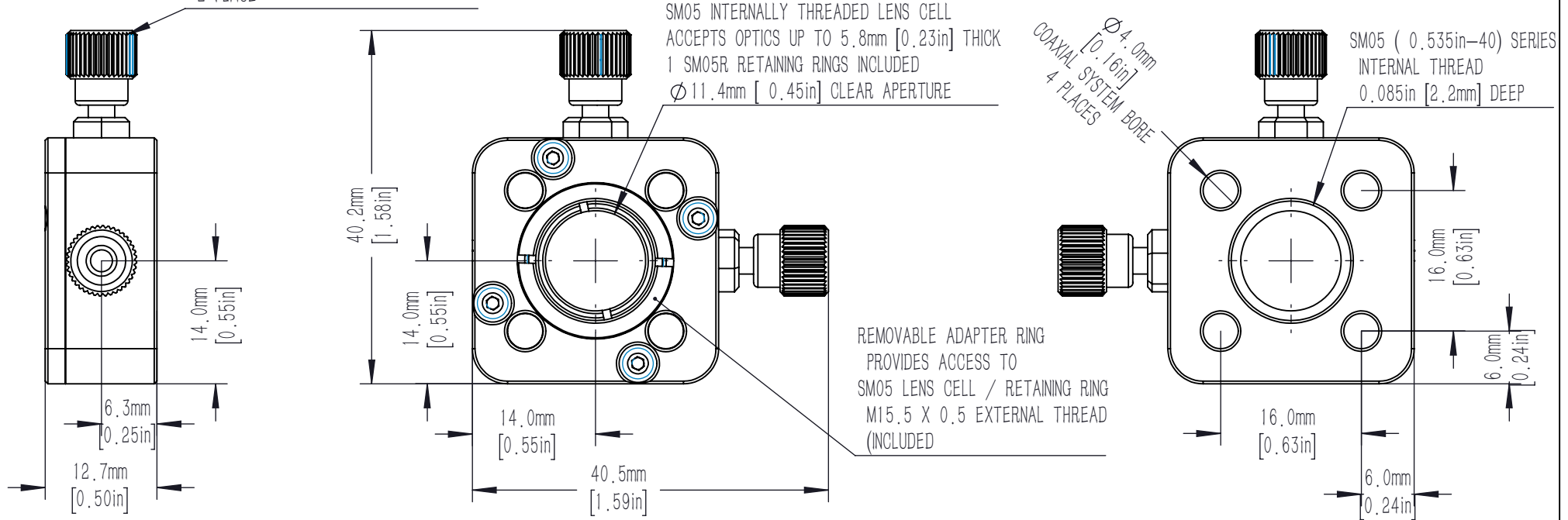
SM05 INTERNALLY THREADED LENS CELL
 ACCEPTS OPTICS UP TO 5.8mm [0.23in] THICK
 1 SM05R RETAINING RINGS INCLUDED
 Ø11.4mm [0.45in] CLEAR APERTURE

Ø4.0mm
 [0.16in]
 COAXIAL SYSTEM BORE
 4 PLACES

SM05 (0.535in-40) SERIES
 INTERNAL THREAD
 0.085in [2.2mm] DEEP

REMOVABLE ADAPTER RING
 PROVIDES ACCESS TO
 SM05 LENS CELL / RETAINING RING
 M15.5 X 0.5 EXTERNAL THREAD
 (INCLUDED)

COAXIAL SYSTEM LOCKING SETSCREW
 1.5mm [0.059in] HEX
 4 PLACES



FOR INFORMATION ONLY
 NOT FOR MANUFACTURING PURPOSES

DRAWING PROJECTION			LBTEK			
	NAME	DATE				
DRAWN	PCHEN	Jan. /29th/26	16mm CAGE TRANSLATOR WITH SM05 PORTS			
APPROVAL	YHLI	Jan. /29th/26	MATERIAL	WEIGHT	SCALE	REV
FOR INFORMATION ONLY NOT FOR MANUFACTURING PURPOSES			N/A	0.023 Kg	1.5:1	A