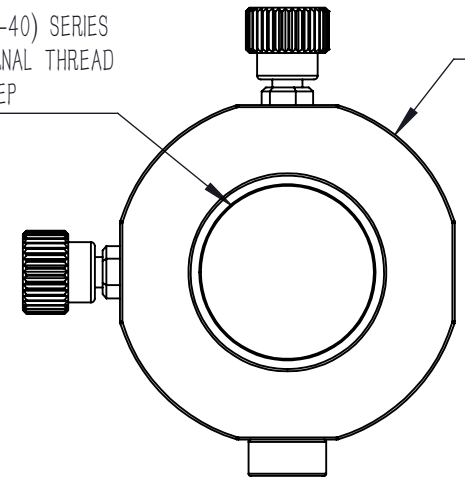
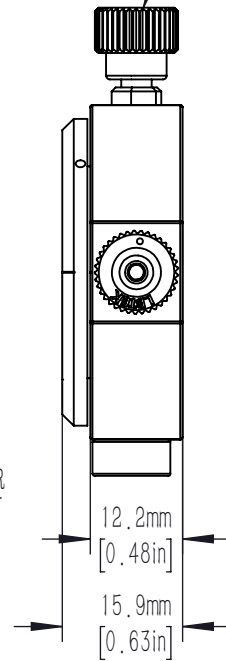


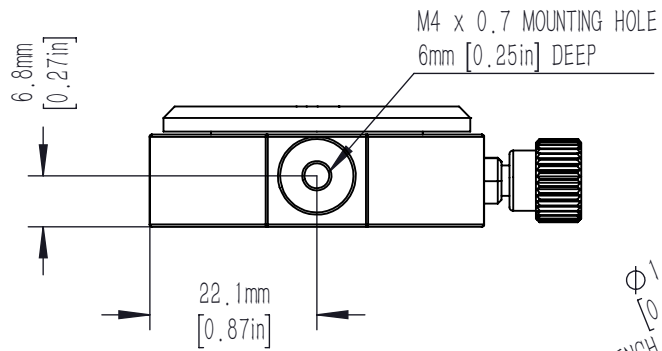
ADJUSTER KNOB WITH 2.0mm [5/64in] HEX  
M4 x 0.2 THREAD [200um/REV]  
2 PLACES

SM1 (Ø1.035-40) SERIES  
STATIONARY INTERNAL THREAD  
4mm [0.14in] DEEP

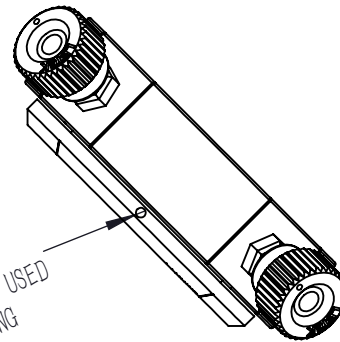
R23.1mm  
[0.91in]



视图 A



Ø1.3mm  
[0.05in]  
WRENCH HOLE IS USED  
FOR TURNING



DRAWING PROJECTION			<b>LBTEK</b>			
	NAME	DATE				
DRAWN	ZZH	DEC/9th/25	METRIC SM1 TRANSLATING LENS MOUNT			
APPROVAL	YLI	DEC/9th/25	MATERIAL	WEIGHT	SCALE	REV
FOR INFORMATION ONLY NOT FOR MANUFACTURING PURPOSES			N/A	0.046 Kg	1:1	A