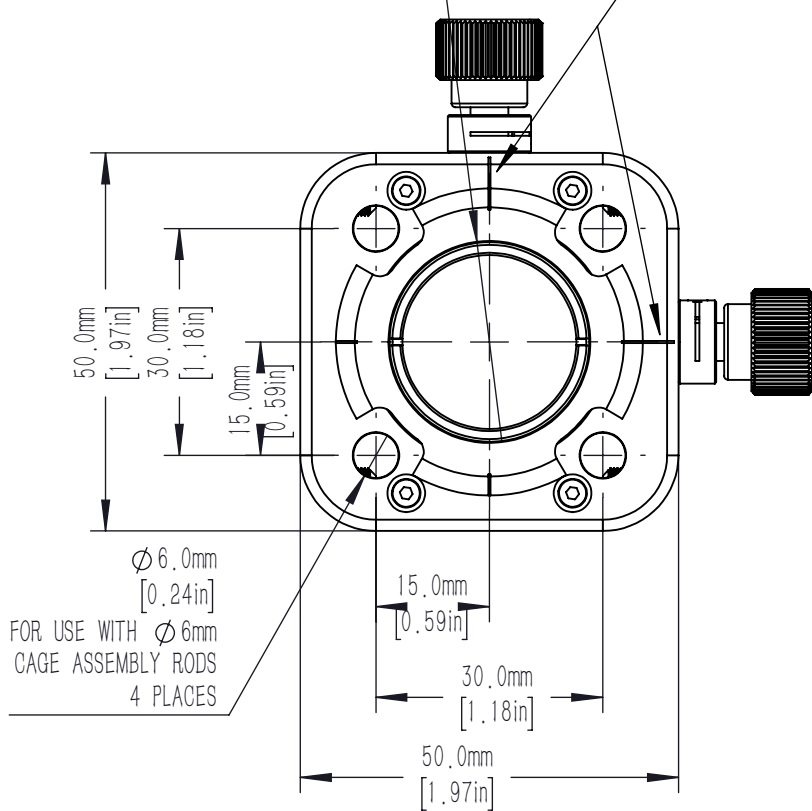


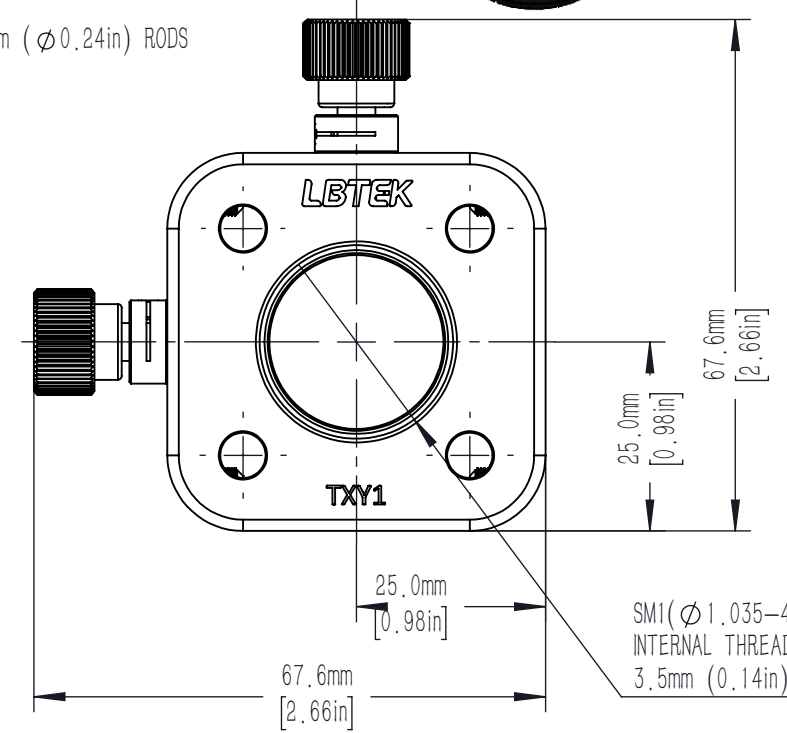
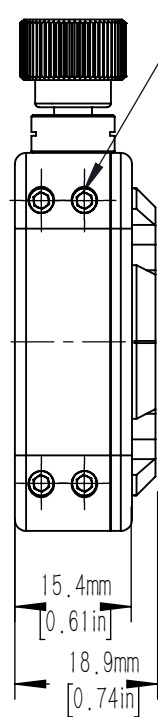
SM1($\phi 1.035-40$) SERIES INTERNAL THREAD
 12mm (0.47in) DEEP
 SM1R RETAINING RING (INCLUDED)
 2.0mm (0.08in) THICK

$\pm 1.0\text{mm X \& Y}$
 PLANE TRAVEL RANGE

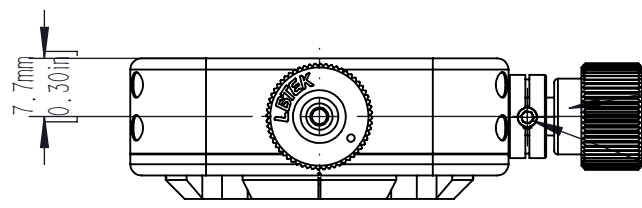


$\phi 6.0\text{mm}$
 [0.24in]
 FOR USE WITH $\phi 6\text{mm}$
 CAGE ASSEMBLY RODS
 4 PLACES

LOCKING FOR $\phi 6\text{mm}$ ($\phi 0.24\text{in}$) RODS
 2mm(0.08in) HEX
 8 PLACES



SM1($\phi 1.035-40$) SERIES
 INTERNAL THREAD
 3.5mm (0.14in) DEEP



ADJUSTER KNOB WITH 2.0mm (5/64in) HEX
 M5x0.25 THREAD, 0.25mm/REV [0.01in/REV]
 2 PLACES

LOCKING FOR ADJUSTER KNOB
 1.5mm(0.06in) HEX
 2 PLACES

DRAWING PROJECTION			LBTEK			
	NAME	DATE	TXY1			
DRAWN	ZHE	AUG./24th/20	XY TRANSLATOR FOR 30mm CAGE AND $\phi 25.4\text{mm}$ OPTIC			
APPROVAL	YCH	AUG./24th/20	MATERIAL	WEIGHT	SCALE	REV
FOR INFORMATION ONLY NOT FOR MANUFACTURING PURPOSES			N/A	0.15 Kg	1:1	D