

SM1(Φ1.035-40) SERIES INTERNAL THREAD

12mm (0.47in) DEEP

SM1R RETAINING RING (INCLUDED)

2.0mm (0.08in) THICK

±1.0mm X & Y
PLANE TRAVEL RANGE

LOCKING FOR Φ6mm (Φ0.24in) RODS

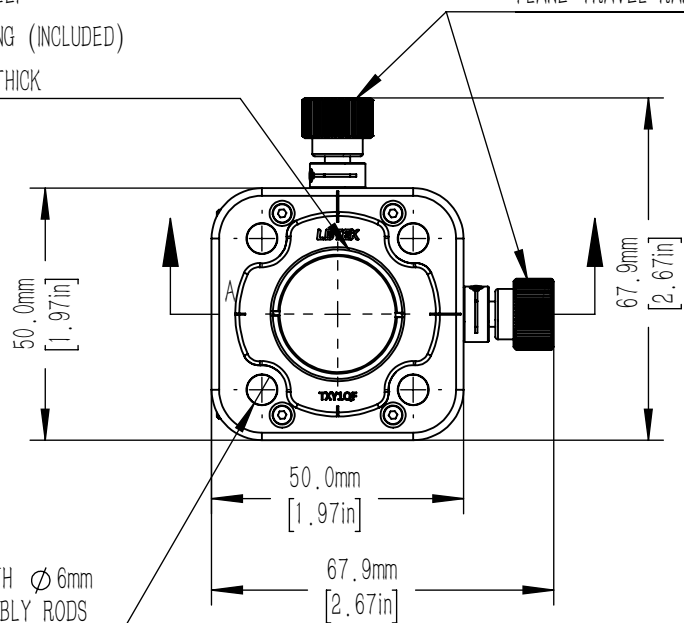
2.0mm(0.08in) HEX

8 PLACES

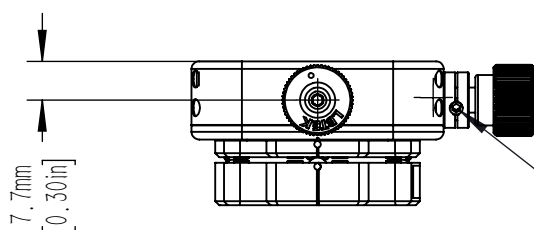
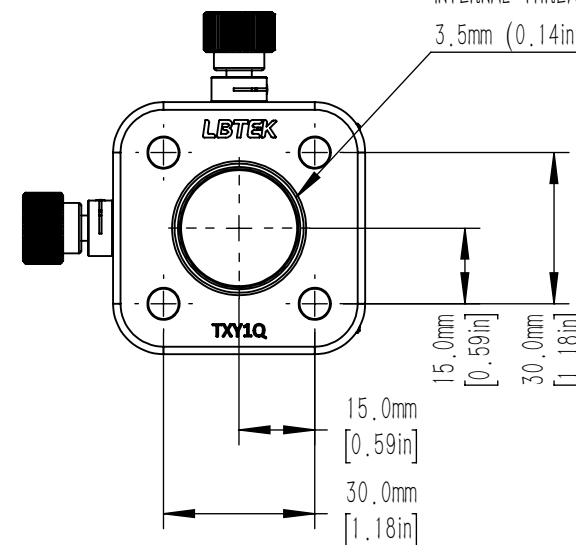
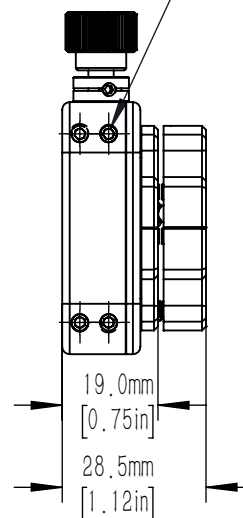
SM1(Φ1.035-40) SERIES

INTERNAL THREAD

3.5mm (0.14in) DEEP



Φ6.0mm
[0.24in]
FOR USE WITH Φ6mm
CAGE ASSEMBLY RODS
4 PLACES



ADJUSTER KNOB WITH 2.0mm (5/64in) HEX
M5x0.25 THREAD, 0.25mm/REV [0.01in/REV]
2 PLACES

LOCKING FOR ADJUSTER KNOB
1.5mm(0.06in) HEX
2 PLACES

DRAWING PROJECTION			LBTEK			
	NAME	DATE				
DRAWN	CZH	DEC./28th/21	XY TRANSLATOR FOR 30mm CAGE AND 25.4mm OPTIC WITH QUICK RELEASER			
APPROVAL	ZXU	DEC./28th/21	MATERIAL	WEIGHT	SCALE	REV
FOR INFORMATION ONLY NOT FOR MANUFACTURING PURPOSES			N/A	0.112 Kg	1:1.5	B