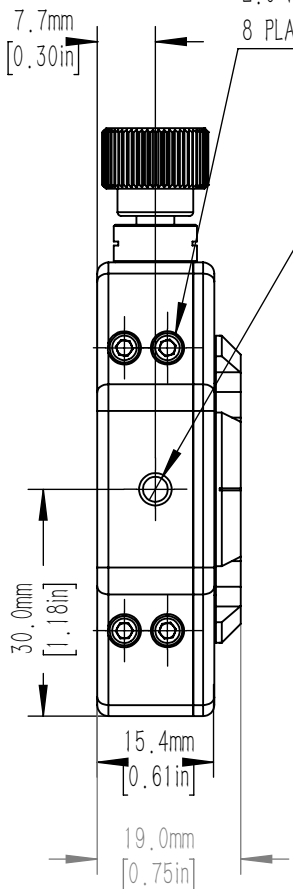
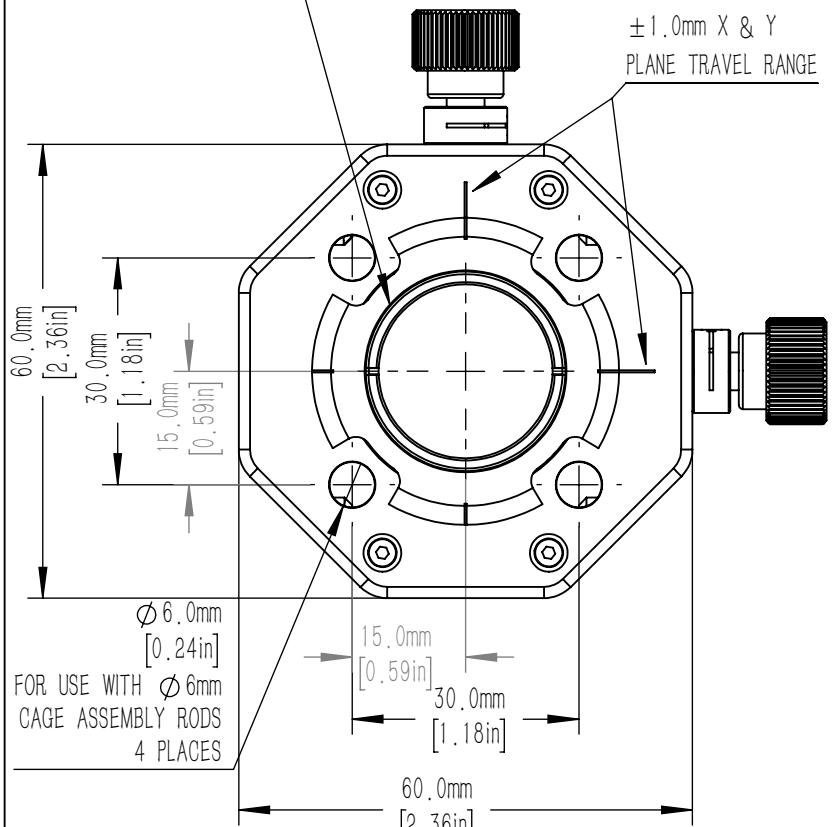
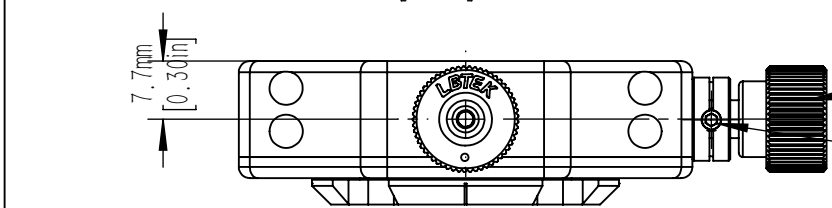
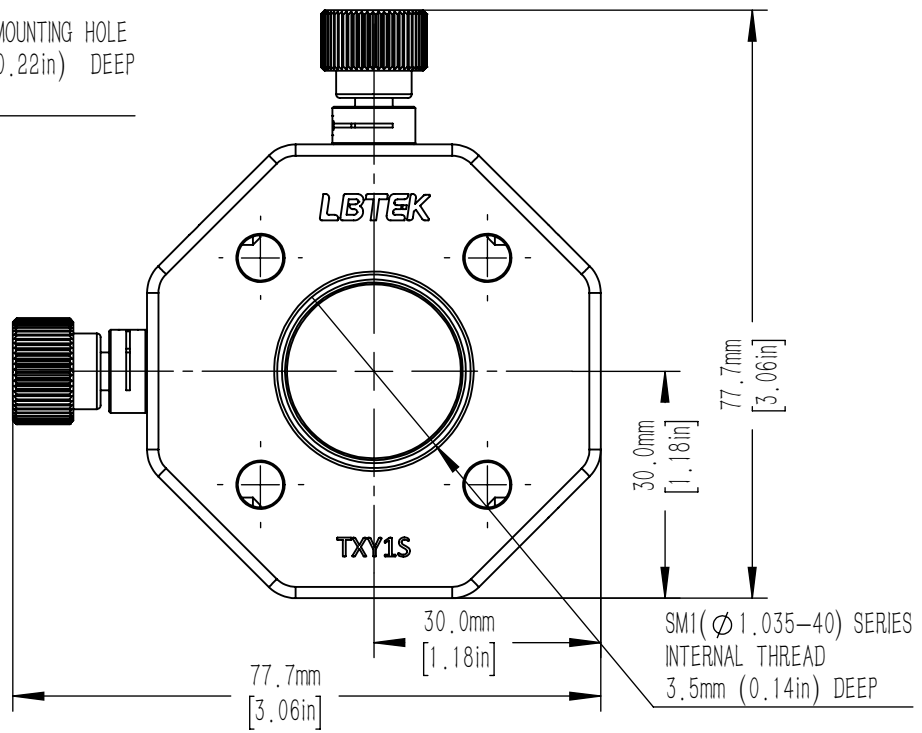


SM1(ϕ 1.035-40) SERIES INTERNAL THREAD
 12mm (0.47in) DEEP
 SM1R RETAINING RING (INCLUDED)
 2.0mm (0.08in) THICK

LOCKING FOR ϕ 6mm (ϕ 0.24in) RODS
 2.0 mm(0.08in) HEX
 8 PLACES



M4x0.7 MOUNTING HOLE
 5.5mm (0.22in) DEEP
 2 PLACES



ADJUSTER KNOB WITH 2.0mm (5/64in) HEX
 M5x0.25 THREAD, 0.25mm/REV [0.01in/REV]
 2 PLACES

LOCKING FOR ADJUSTER KNOB
 1.5mm(0.06in) HEX
 2 PLACES

DRAWING PROJECTION							
NAME	DATE	XY TRANSLATOR FOR 30mm CAGE AND ϕ 25.4mm OPTIC					
DRAWN	CZH	MAY./11th/23	MATERIAL	WEIGHT	SCALE	REV	
APPROVAL	ZXU	MAY./11th/23	N/A	0.19 Kg	1:1	B	
FOR INFORMATION ONLY NOT FOR MANUFACTURING PURPOSES							