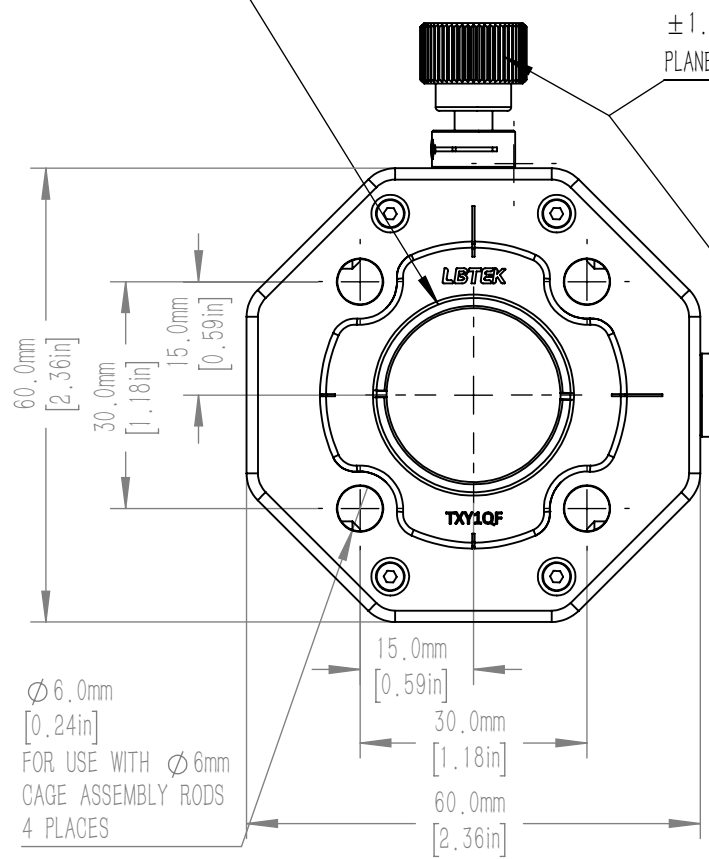
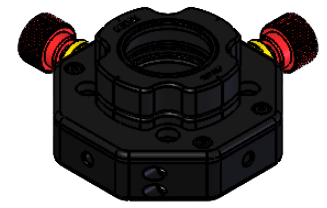
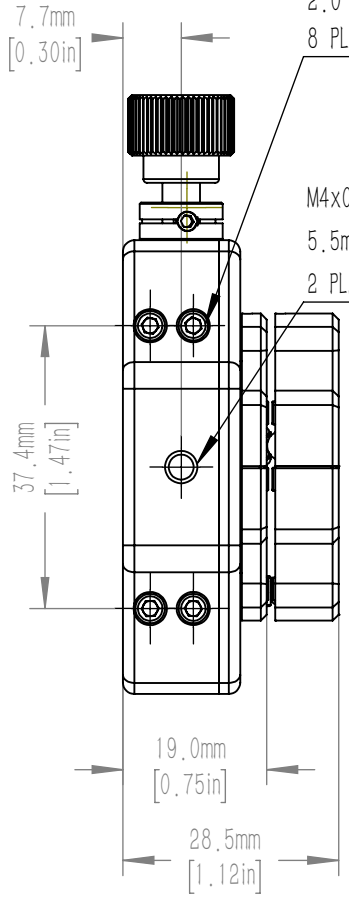


SM1( $\phi$ 1.035-40) SERIES INTERNAL THREAD  
 12mm (0.47in) DEEP  
 SM1R RETAINING RING (INCLUDED)  
 2.0mm (0.08in) THICK



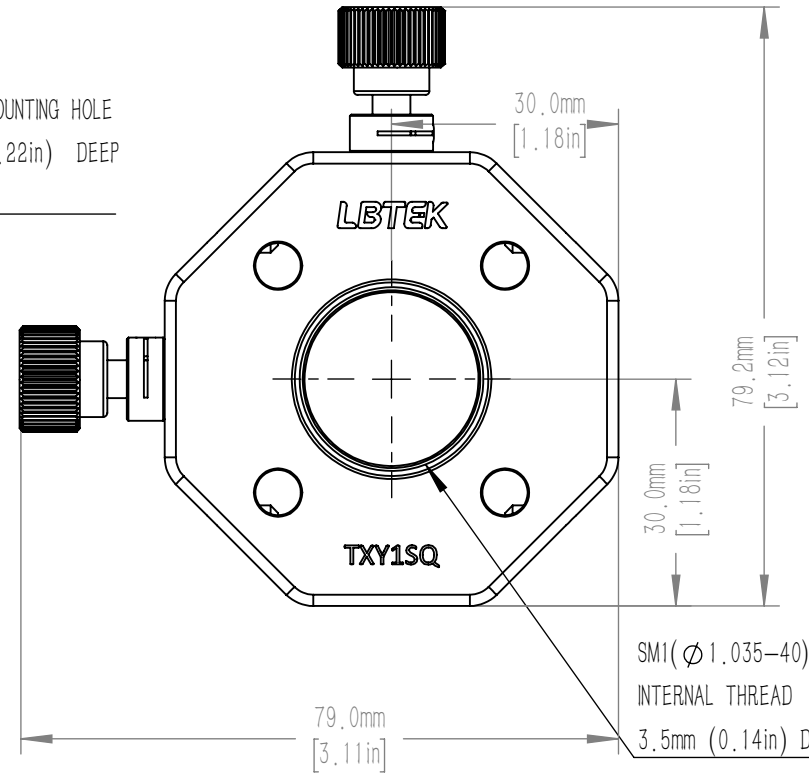
$\pm$ 1.0mm X & Y  
 PLANE TRAVEL RANGE

$\phi$ 6.0mm  
 [0.24in]  
 FOR USE WITH  $\phi$ 6mm  
 CAGE ASSEMBLY RODS  
 4 PLACES

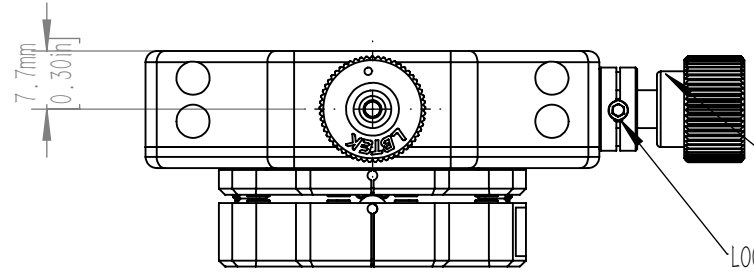


LOCKING FOR  $\phi$ 6mm ( $\phi$ 0.24in) RODS  
 2.0 mm(0.08in) HEX  
 8 PLACES

M4x0.7 MOUNTING HOLE  
 5.5mm (0.22in) DEEP  
 2 PLACES



SM1( $\phi$ 1.035-40) SERIES  
 INTERNAL THREAD  
 3.5mm (0.14in) DEEP



ADJUSTER KNOB WITH 2.0mm (5/64in) HEX  
 M5x0.25 THREAD, 0.25mm/REV [0.01in/REV]  
 2 PLACES

LOCKING FOR ADJUSTER KNOB  
 1.5mm(0.06in) HEX  
 2 PLACES

DRAWING PROJECTION							
	NAME	DATE					
DRAWN	CZH	DEC./28th/21		XY TRANSLATOR FOR 30mm CAGE AND 25.4mm OPTIC WITH QUICK RELEASER			
APPROVAL	ZXU	DEC./28th/21		MATERIAL	WEIGHT	SCALE	REV
FOR INFORMATION ONLY NOT FOR MANUFACTURING PURPOSES				N/A	0.135 Kg	1:1	B