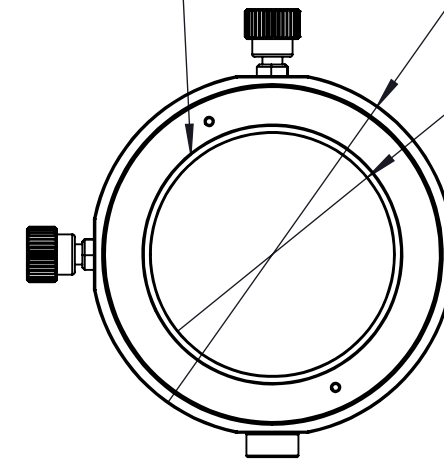
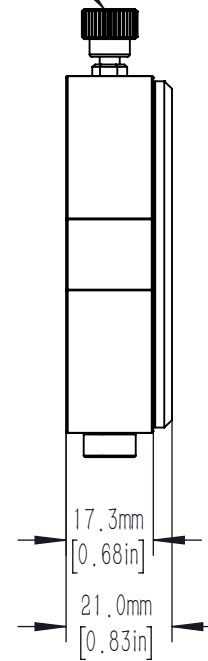
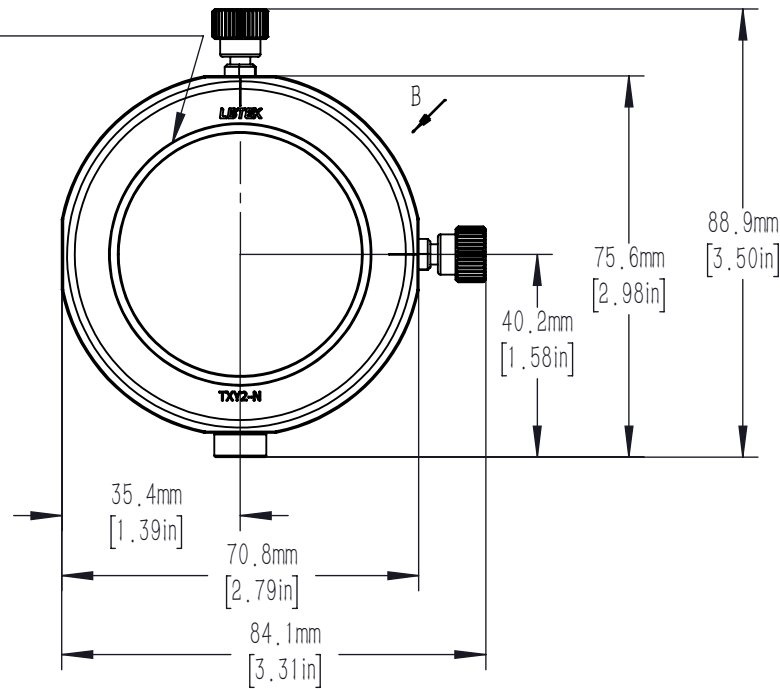


SM2 (ϕ 2.035-40) SERIES
 INTERNAL THREADS
 15.5mm [0.61in] DEEP
 SM2R RETAINING RING (INCLUDED)
 SM2 (ϕ 2.035-40) SERIES EXTERNAL THREAD
 MOVABLE CARRIAGE PROVIDES
 ± 1.0 mm [± 0.04 in] X-Y TRAVEL
 FROM CENTER

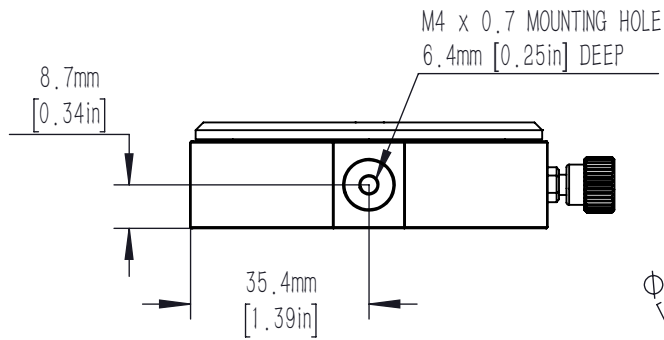
ADJUSTER KNOB WITH 2.0mm [5/64in] HEX
 M4 x 0.2 THREAD [200um/REV]
 2 PLACES @ 90 SEPARATION

SM2 (ϕ 2.035-40) SERIES
 STATIONARY INTERNAL THREAD
 3.8mm [0.15in] DEEP

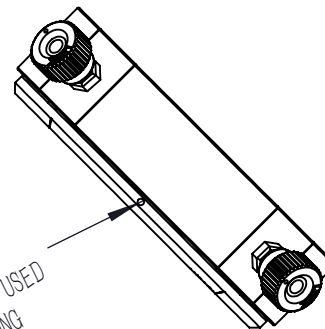
ϕ 71.6mm
 [2.82in]
 ϕ 48.6mm
 [1.91in]
 CLEAR APERTURE



视图 B



ϕ 1.3mm
 [0.05in]
 WRENCH HOLE IS USED
 FOR TURNING



DRAWING PROJECTION			LBTEK			
NAME	DATE	TXY2-N				
DRAWN	ZZH	DEC/9th/25	METRIC 2.00in TRANSLATING LENS MOUNT			
APPROVAL	YLI	DEC/9th/25	MATERIAL	WEIGHT	SCALE	REV
FOR INFORMATION ONLY NOT FOR MANUFACTURING PURPOSES			N/A	0.104 Kg	1:1.5	A