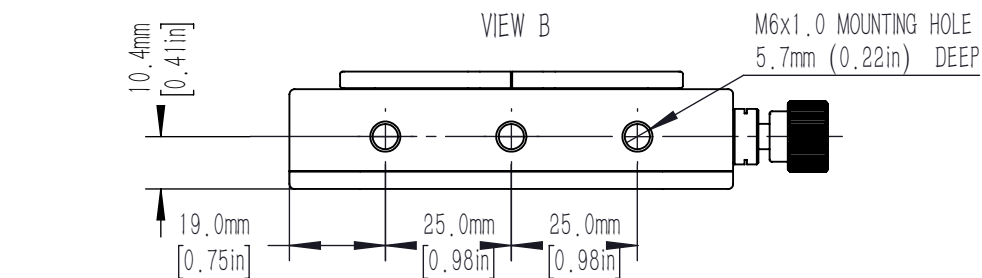
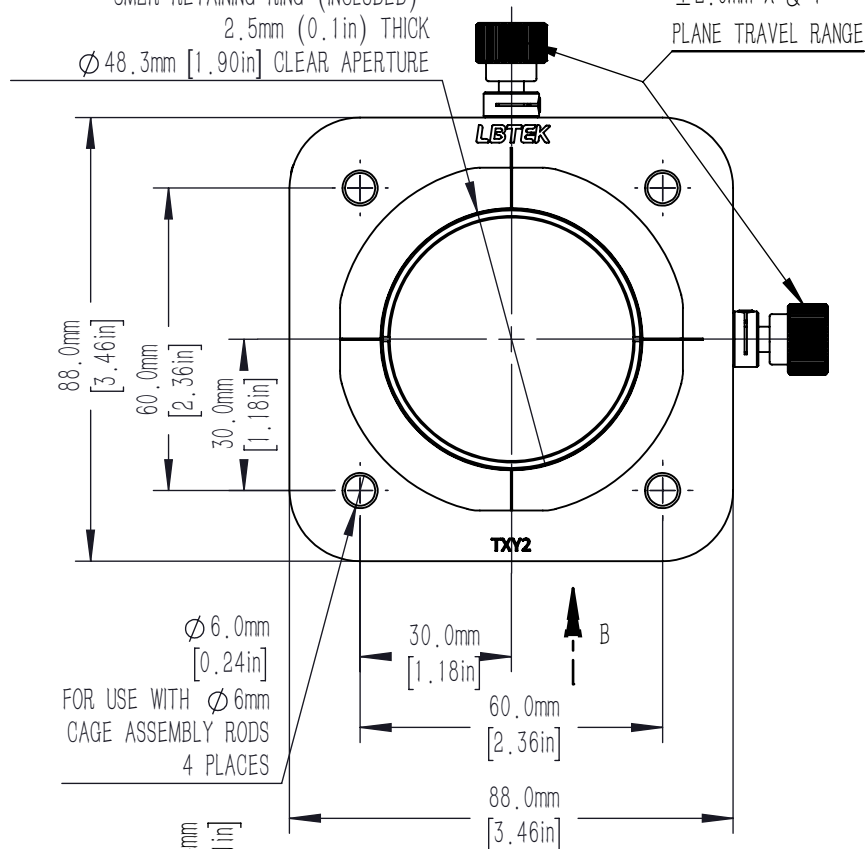


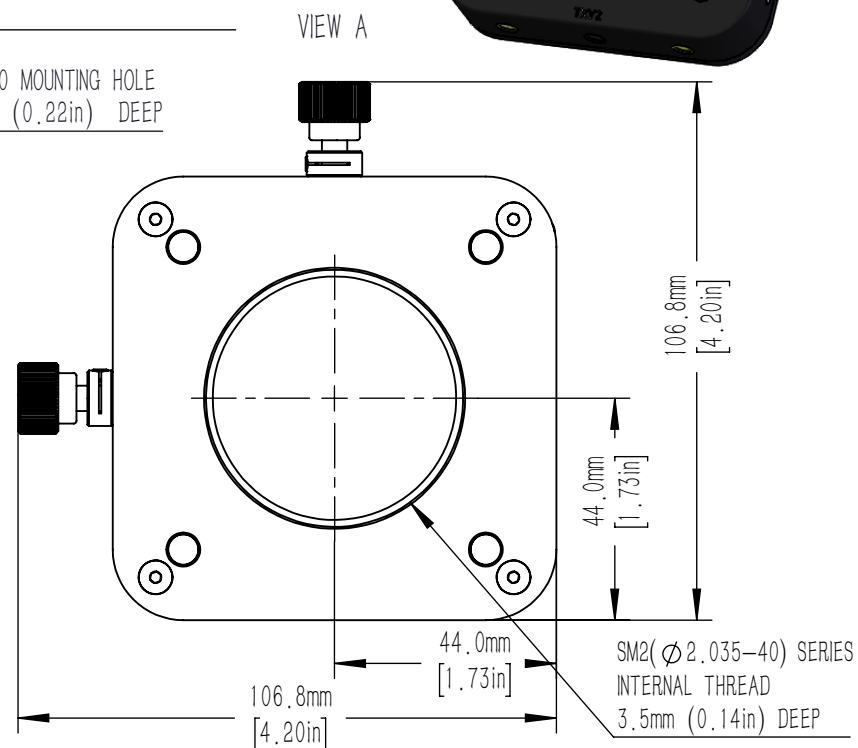
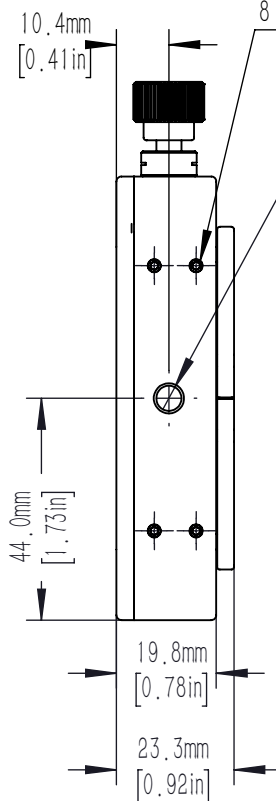
VIEW SCALE=1:2



SM2 (Ø2.035-40) SERIES INTERNAL THREAD
18mm (0.71in) DEEP
SM2R RETAINING RING (INCLUDED)
2.5mm (0.1in) THICK
Ø48.3mm [1.90in] CLEAR APERTURE



LOCKING FOR Ø6mm (Ø0.24in) RODS
1.5mm(0.06in) HEX
8 PLACES



ADJUSTER KNOB WITH 2.0mm (5/64in) HEX
M5x0.25 THREAD, 0.25mm/REV [0.01in/REV]
2 PLACES

LOCKING FOR ADJUSTER KNOB
1.5mm(0.06in) HEX
2 PLACES

DRAWING PROJECTION				<h1 style="color: red; text-align: center;">LBTEK</h1>			
DRAWN	ZHE	NOV./14th/19	XY TRANSLATOR FOR 60mm CAGE AND Ø50.8mm OPTIC				
APPROVAL	ZYANG	NOV./14th/19	MATERIAL	WEIGHT	SCALE	REV	
FOR INFORMATION ONLY NOT FOR MANUFACTURING PURPOSES			N/A	0.34 Kg	2:3	B	