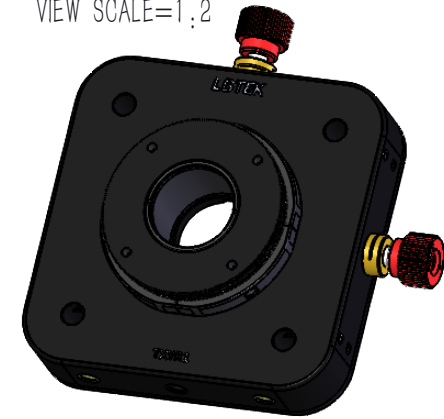


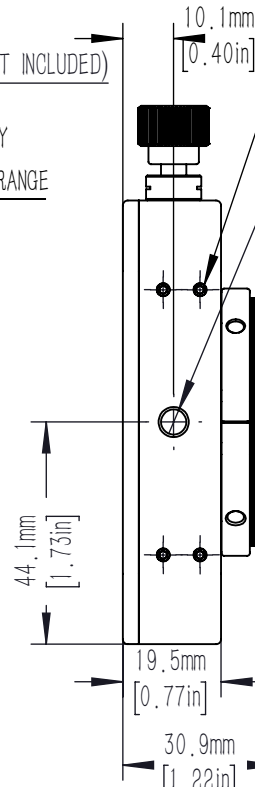
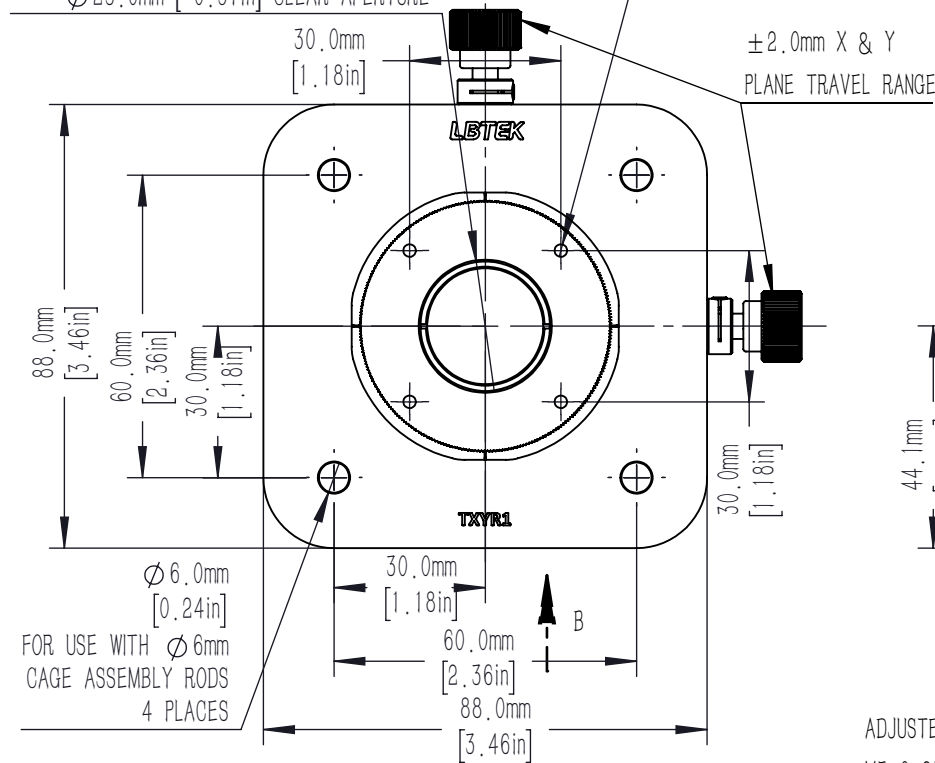
VIEW SCALE=1:2



SM1 (Ø1.035-40) SERIES INTERNAL THREAD
22.5mm (0.86in) DEEP
SM1R RETAINING RING (INCLUDED)
2.0mm (0.08in) THICK
Ø23.0mm [0.91in] CLEAR APERTURE

M3x0.5 TAPPED HOLES
4 PLACES
FOR USING WITH Ø6mm
CAGE ASSEMBLY RODS (NOT INCLUDED)

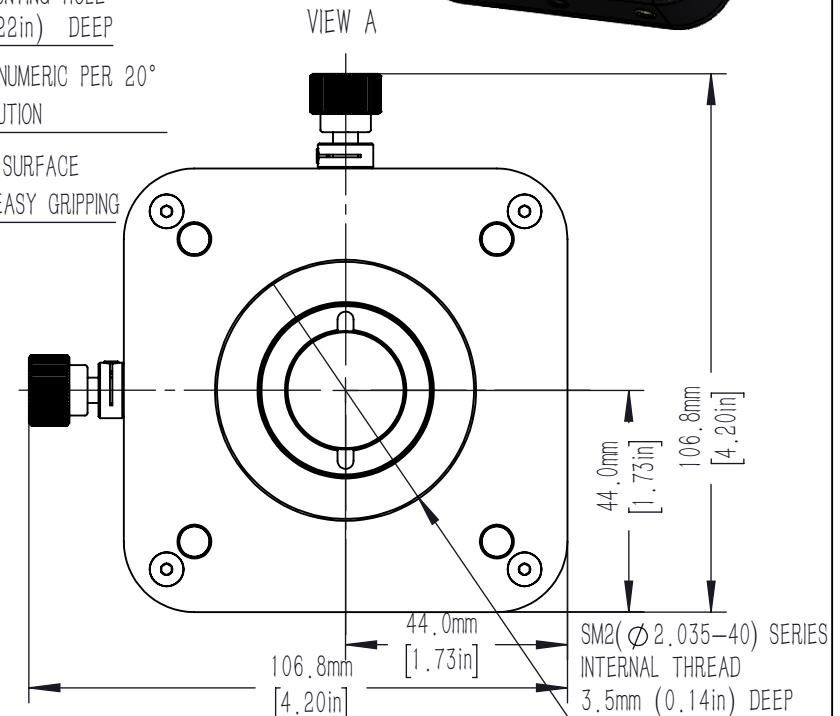
LOCKING FOR Ø6mm (Ø0.24in) RODS
1.5mm(0.06in) HEX
8 PLACES



M6x1.0 MOUNTING HOLE
5.7mm (0.22in) DEEP

ENGRAVED NUMERIC PER 20°
2° RESOLUTION

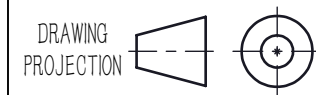
KNURLED SURFACE
ALLOWS EASY GRIPPING



ADJUSTER KNOB WITH 2.0mm (5/64in) HEX
M5x0.25 THREAD, 0.25mm/REV [0.01in/REV]
2 PLACES

LOCKING FOR ADJUSTER KNOB
1.5mm(0.06in) HEX
2 PLACES

LOCKING SCREW FOR ROTATION
2.0mm(0.08in) HEX



LBTEK

DRAWING PROJECTION			TXYR1			
NAME	DATE	XY TRANSLATOR FOR 60mm CAGE AND Ø25.4mm OPTIC				
DRAWN	ZHE	NOV./14th/19	MATERIAL	WEIGHT	SCALE	REV
APPROVAL	ZYANG	NOV./14th/19	N/A	0.35 Kg	2:3	B
FOR INFORMATION ONLY NOT FOR MANUFACTURING PURPOSES						