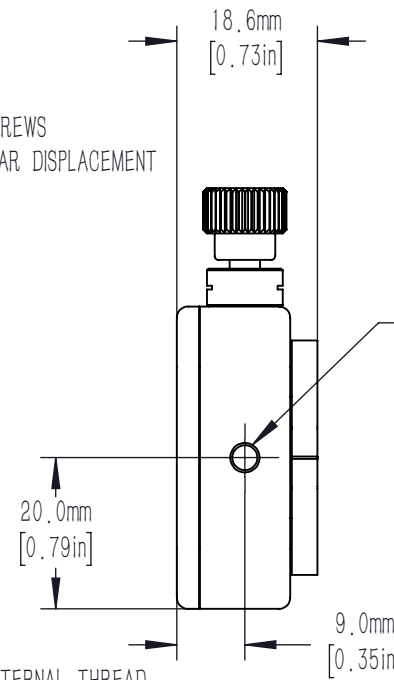


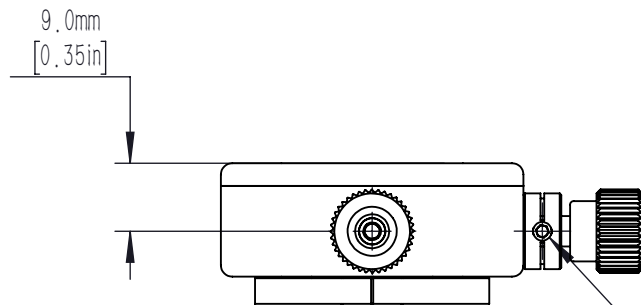
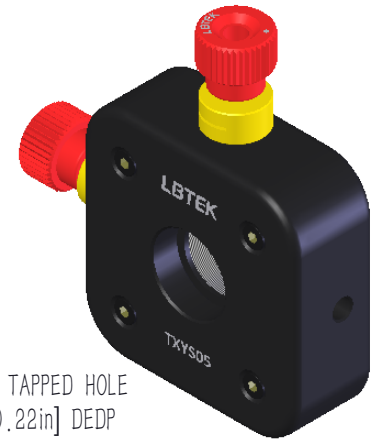
X, Y ± 1.0 mm DISPLACEMENT INDICATION
2 PLACES

M4X0.25 LOCKABLE ADJUSTER SCREWS
PROVIDES ± 1.0 mm TOTAL LINEAR DISPLACEMENT
(0.25mm PER REVOLUTION)
2 PLACES
2.0mm [5/64in] HEX

SM05 ($\phi 0.535$ in-40) SERIES INTERNAL THREAD
ACCEPTS $\phi 12.7$ mm [$\phi 0.50$ in]
MAXIMUM 10.3mm[0.40in] THICK OPTICS
1 SM05R RETAINING RINGS INCLUDED
 $\phi 11.4$ mm [0.45in] CLEAR APERTURE



M4X0.7 TAPPED HOLE
5.5mm[0.22in] DEDP
2 PLACES



ADJUSTER LOCKING SCREW
1.5mm HEX
2 PLACES

DRAWING PROJECTION			LBTEK			
	NAME	DATE				
DRAWN	YCH	MAY./22th/20	XY TRANSLATOR MOUNT FOR $\phi 12.7$ mm OPTICS			
APPROVAL	ZHE	MAY./22th/20	MATERIAL	WEIGHT	SCALE	REV
FOR INFORMATION ONLY NOT FOR MANUFACTURING PURPOSES			N/A	0.07 Kg	1:1	C