

VIEW A

Ø6.0mm [Ø0.24in] THRU HOLE
FOR USE WITH CAGE RODS
4 PLACES

X, Y ±1.5mm DISPLACEMENT INDICATION
2 PLACES

M5X0.25 LOCKABLE ADJUSTER SCREWS
PROVIDES +/-1.5mm TOTAL LINEAR DISPLACEMENT
(0.25mm PER REVOLUTION)
2 PLACES
2.0mm [5/64in] HEX

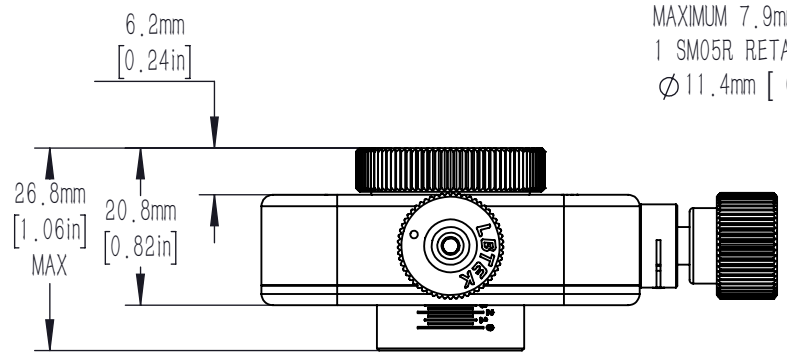
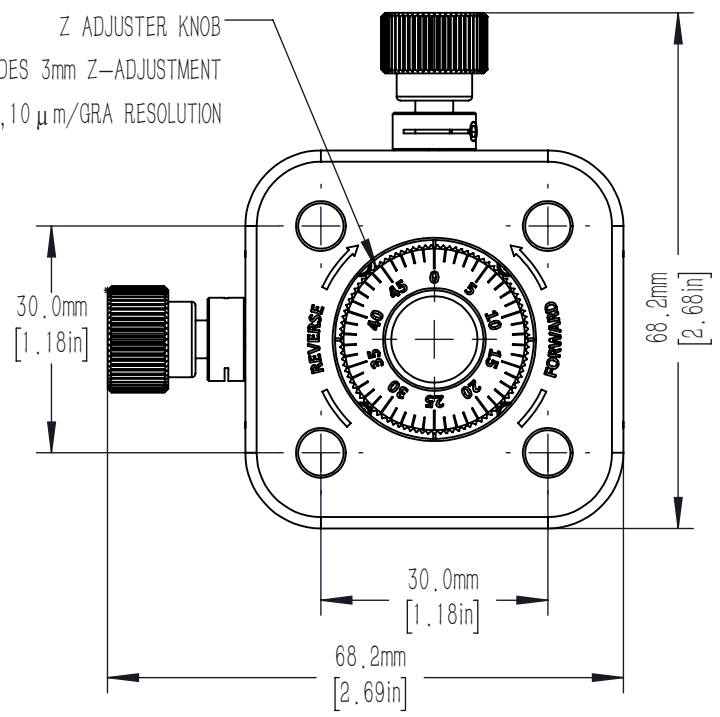
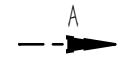
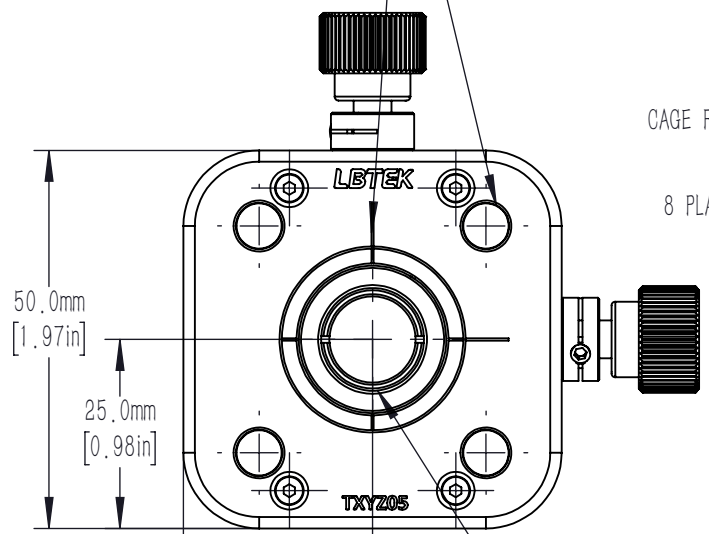
ADJUSTER LOCKING SCREW
1.5mm HEX
2 PLACES

CAGE ROD LOCKING SET SCREW
1.5mm HEX
8 PLACES TOTAL, 4 PER SIDE

M4X0.7 TAPPED HOLE
7.0mm [0.27in] DEDP
2 PLACES

SM05 (Ø0.535in-40) SERIES INTERNAL THREAD
ACCEPTS Ø12.7mm [Ø0.50in]
MAXIMUM 7.9mm [0.31in] THICK OPTICS
1 SM05R RETAINING RINGS INCLUDED
Ø11.4mm [0.45in] CLEAR APERTURE

Z ADJUSTER KNOB
PROVIDES 3mm Z-ADJUSTMENT
500 µm/REV, 10 µm/GRA RESOLUTION



DRAWING PROJECTION							
	NAME	DATE	TXYZ05				
DRAWN	YCH	MAY./22th/20	XYZ TRANSLATOR MOUNT FOR Ø12.7mm OPTICS				
APPROVAL	ZHE	MAR./6th/20	MATERIAL	WEIGHT	SCALE	REV	
FOR INFORMATION ONLY NOT FOR MANUFACTURING PURPOSES			N/A	0.10 Kg	1:1	C	