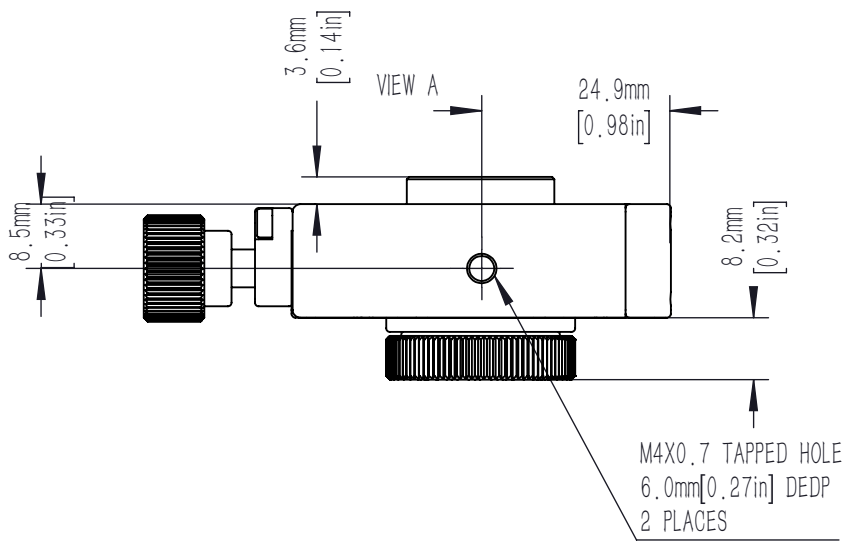


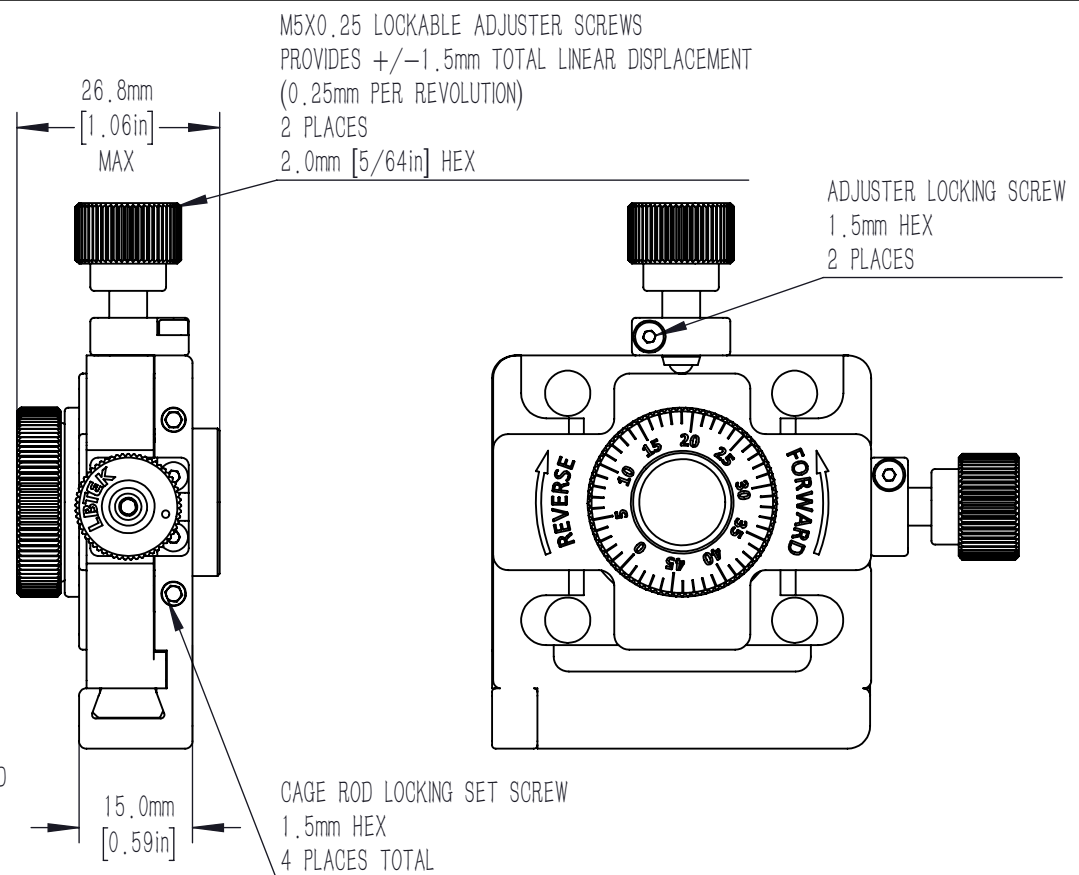
69.7mm [2.74in]
 30.0mm [1.18in]
 15.0mm [0.59in]
 72.1mm [2.84in]
 32.0mm [1.26in]
 30.0mm [1.18in]
 15.0mm [0.59in]
 $\varnothing 6.0\text{mm}$ [$\varnothing 0.24\text{in}$] THRU HOLE FOR USE WITH CAGE RODS 4 PLACES
LBTEK XYZ05S

SM05 ($\varnothing 0.535\text{in}-40$) SERIES INTERNAL THREAD ACCEPTS $\varnothing 12.7\text{mm}$ [$\varnothing 0.50\text{in}$] MAXIMUM 7.9mm [0.31in] THICK OPTICS 1 SM05R RETAINING RINGS INCLUDED $\varnothing 11.4\text{mm}$ [0.45in] CLEAR APERTURE

A



8.5mm [0.33in]
 3.6mm [0.14in]
 VIEW A
 24.9mm [0.98in]
 8.2mm [0.32in]
 M4X0.7 TAPPED HOLE 6.0mm [0.27in] DEDP 2 PLACES



M5X0.25 LOCKABLE ADJUSTER SCREWS PROVIDES $\pm 1.5\text{mm}$ TOTAL LINEAR DISPLACEMENT (0.25mm PER REVOLUTION) 2 PLACES 2.0mm [5/64in] HEX

ADJUSTER LOCKING SCREW 1.5mm HEX 2 PLACES

26.8mm [1.06in] MAX
 15.0mm [0.59in]
 CAGE ROD LOCKING SET SCREW 1.5mm HEX 4 PLACES TOTAL

DRAWING PROJECTION			LBTEK			
NAME	DATE	XYZ05S				
DRAWN	CZH	MAR./6th/20	XYZ TRANSLATOR MOUNT FOR $\varnothing 12.7\text{mm}$ OPTICS			
APPROVAL	ZXU	MAR./6th/20	MATERIAL	WEIGHT	SCALE	REV
FOR INFORMATION ONLY NOT FOR MANUFACTURING PURPOSES			N/A	0.097 Kg	1:1	B