

M6X0.25 LOCKABLE ADJUSTER SCREWS
 PROVIDES $\pm 2.5\text{mm}$ TOTAL LINEAR DISPLACEMENT
 (0.25mm PER REVOLUTION)
 2 PLACES
 2.0mm [5/64in] HEX

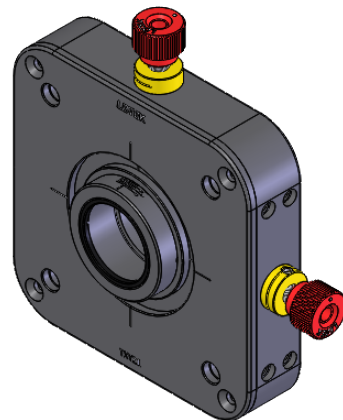
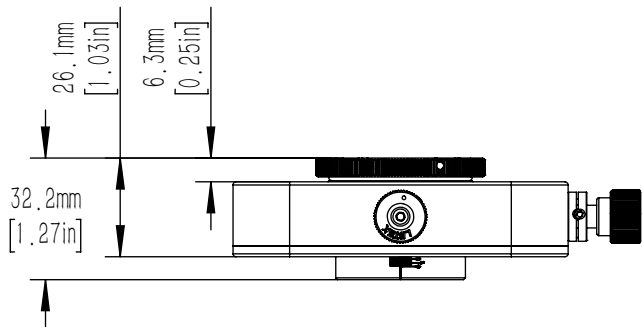
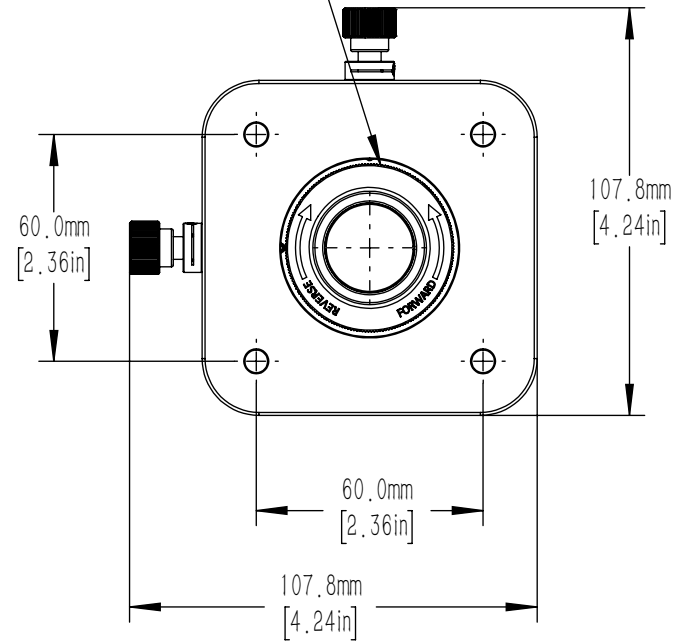
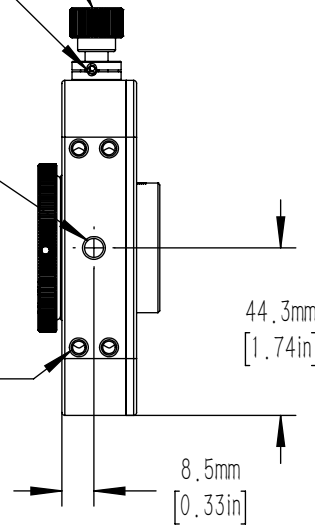
ADJUSTER LOCKING SCREW
 1.5mm HEX
 2 PLACES

M6X1.0 TAPPED HOLE
 7.0mm [0.27in] DEDP
 2 PLACES

CAGE ROD LOCKING SET SCREW
 1.5mm HEX
 8 PLACES TOTAL, 4 PER SIDE

SM1 ($\phi 1.035\text{in}-40$) SERIES INTERNAL THREAD
 SM1R RETAINING RING INCLUDED
 ACCEPTS $\phi 25.4\text{mm}$ [$\phi 1.00\text{in}$] OPTICS
 UP TO 10mm [0.39in] THICK
 $\phi 23.0\text{mm}$ [0.90in] CLEAR APERTURE

ZOOM ADJUSTMENT DIAL
 PROVIDES $\pm 1.5\text{mm}$ [$\pm 0.06\text{in}$] Z-ADJUSTMENT
 500 μm /REV RESOLUTION



DRAWING PROJECTION			LBTEK			
	NAME	DATE	XYZ1			
DRAWN	HDE	Oct./31th/22	XYZ TRANSLATOR MOUNT FOR $\phi 25.4\text{mm}$ OPTICS			
APPROVAL	ZXU	Oct./31th/22	MATERIAL	WEIGHT	SCALE	REV
FOR INFORMATION ONLY NOT FOR MANUFACTURING PURPOSES			ALUMINUM	1.690 Kg	1:2	B