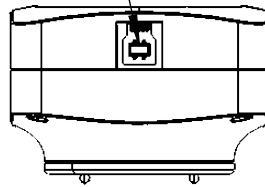
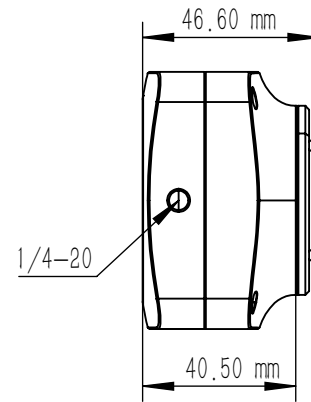
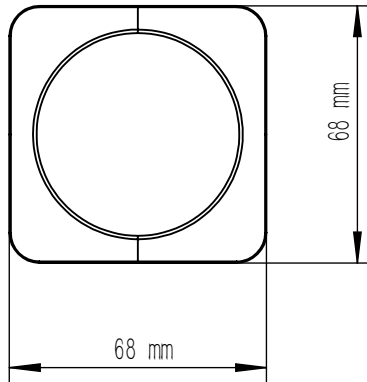
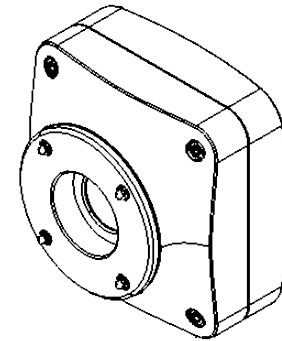
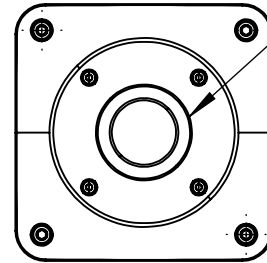


USB3.0接口



C-Mount



DRAWING PROJECTION			LBTEK			
NAME	DATE	U3-xxxxx				
DRAWN	PNIU	DEC./6th/24	Micro Uncooled Camera			
APPROVAL	ZHWANG	DEC./6th/24	MATERIAL	WEIGHT	SCALE	REV
FOR INFORMATION ONLY NOT FOR MANUFACTURING PURPOSES			N/A	g	1:2	A