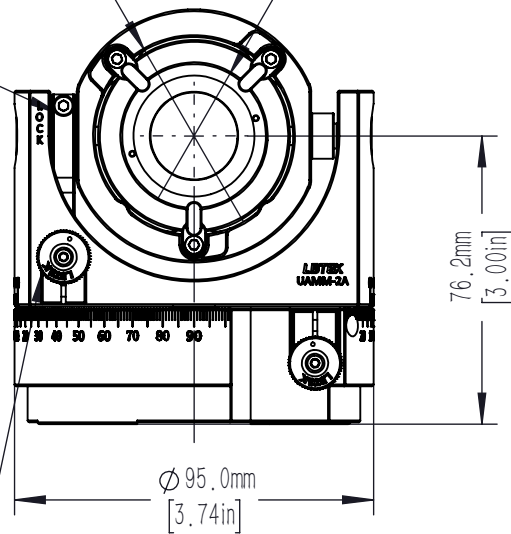


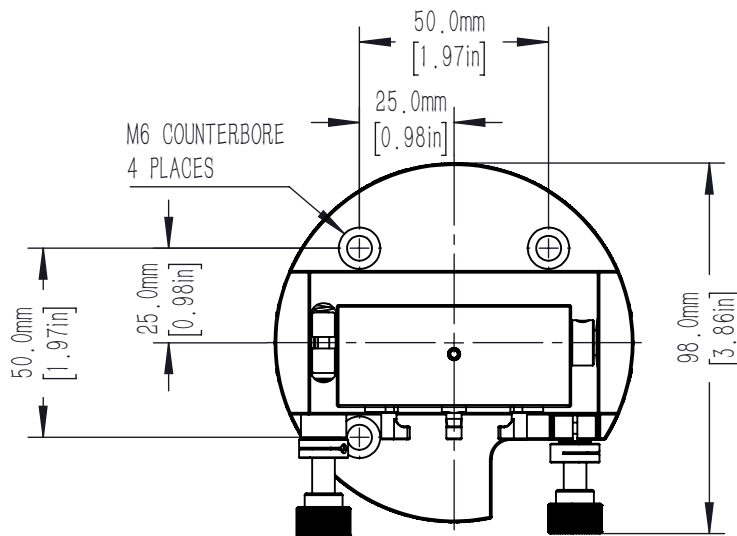
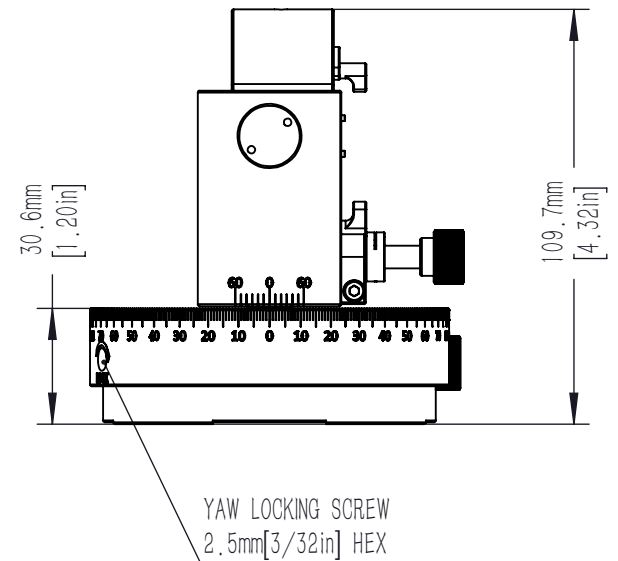
ACCEPTS $\phi 50.8\text{mm}$ [2.00in]
6mm[0.24in]–16mm[0.63in] THICK OPTICS
 $\phi 46\text{mm}$ [1.81in] CLEAR APERTUR

ACCEPTS $\phi 25.4\text{mm}$ [1.00in]
3.5mm[0.14in]–10mm[0.39in] THICK OPTICS
 $\phi 23\text{mm}$ [0.91in] CLEAR APERTUR

PITCH LOCKING SCREW
2.5mm[3/32in] HEX



M6X0.25 ADJUSTER SCREWS
PROVIDES $\pm 5^\circ$ TOTAL ANGULAR DISPLACEMENT
(0.45° PER REVOLUTION)
2 PLACES
2.0mm [5/64in] HEX



DRAWING PROJECTION				LBTEK			
	NAME	DATE	UAMM-2A				
DRAWN	ZLI	MAY./31th/24	2-AXIS UNIVERSAL MIRROR MOUNT FOR $\phi 50.8\text{mm}$ AND $\phi 25.4\text{mm}$ OPTICS				
APPROVAL	HDE	MAY./31th/24	MATERIAL	WEIGHT	SCALE	REV	
FOR INFORMATION ONLY NOT FOR MANUFACTURING PURPOSES			N/A	0.907 Kg	1:2	A	